

Dowel Pins

Oversized

■ Straight

RoHS

Type	Material	Hardness
MS	EN 1.3505 Equiv.	58HRC~
MSC	EN 1.4125 Equiv.	58HRC~
MSCSS	EN 1.4301 Equiv.	-

⚠ L1 dimension may become larger than the value shown in the catalog due to polishing process.

∅1	Part Number		L	Unit Price	Volume Discount Rate
	Type	D			
				1~499	500~2000
0.4	MS	1	6 8 10		
0.6		1.5	6 8 10		
1		2	6 8 10 15 20		
		2.5	6 8 10 15 20 25 30		
1.5		3	6 8 10 15 20 25 30 35 40		
		4	8 10 15 20 25 30 35 40 45 50		
		5	8 10 15 20 25 30 35 40 45 50		
2		6	8 10 15 20 25 30 35 40 45 50 55 60		
2.5		8	10 15 20 25 30 35 40 45 50 55 60 65 70 80		
3		10	15 20 25 30 35 40 45 50 55 60 65 70 80		
3.5		12	20 25 30 35 40 45 50 55 60 70 80		
		13	30 40 50 60 70 80		

⚠ For orders of 1 ~ 9 pc(s): Unit Price + Low Quantity Surcharge (1 Line Item) ⚠ For orders larger than indicated quantity, please check with WOS.

∅1	Part Number		L	Unit Price	Volume Discount Rate		
	Type	D			1 ~ 9 pc(s)	10~49	50~99
0.4	MSC	1	5 6 8 10				
0.6		1.5	5 6 8 10				
1		2	5 6 8 10 12 15 20				
		2.5	6 8 10 12 15 20				
1.5		3	6 8 10 12 15 20 25 30				35 40
		4	8 10 12 15 20 25 30				35 40 50
		5	8 10 12 15 20 25 30				35 40 50
2		6	8 10 12 15 20 25 30				35 40 50 60
2.5		8	10 15 20 25 30				35 40 50 60
3		10	10 15 20 25 30				35 40 50 60
3.5		12	30 35 40 50 60				30 35 40 50 60

⚠ For orders larger than indicated quantity, please check with WOS.

∅1	Part Number		L	Unit Price	Volume Discount Rate		
	Type	D			1 ~ 9 pc(s)	10~49	50~99
0.4	MSCSS	1	5 6 8 10				
0.6		1.5	5 6 8 10				
1		2	5 6 8 10 12 15				
		2.5	6 8 10 12 15				
1.5		3	6 8 10 12 15 20				
		4	8 10 12 15 20				
2	5	10 12 15 20					
2	6	10 12 15 20 25					

⚠ For orders larger than indicated quantity, please check with WOS.

■ Straight, Chamfered

RoHS

Type	Material	Hardness
MSCM	EN 1.4125 Equiv.	58HRC~
MSCSM	EN 1.4301 Equiv.	-

C	Part Number		L	Unit Price	Volume Discount Rate		
	Type	D			1 - 19 pc(s)	20~29	30~49
0.3 or Less	MSCM	2	6 8 10 12 15				
		3	10 12 15 20				
		4	10 12 15 20				
0.5		5	10 12 15 20				
		6	10 12 15 20 25				

⚠ For orders larger than indicated quantity, please check with WOS.

C	Part Number		L	Unit Price	Volume Discount Rate		
	Type	D			1 - 19 pc(s)	20~29	30~49
0.3 or Less	MSCSM	2	6 8 10 12 15				
		3	10 12 15 20				
		4	10 12 15 20				
0.5		5	10 12 15 20				
		6	10 12 15 20 25				

⚠ For orders larger than indicated quantity, please check with WOS.

■ Straight - High Precision

RoHS

Type	Material	Hardness
MSV	EN 1.3505 Equiv.	58HRC~
MSVC	EN 1.4125 Equiv.	58HRC~

⚠ Measurement is taken place in constant temperature room.

⚠ L1, L2 dimension may become larger than the value shown in the catalog due to polishing process.

∅1	∅2	Part Number		L	Unit Price	Volume Discount Rate	
		Type	D			1~49	50~499
1	0.2	MSV	2	6 8 10			
			3	8 10 15 20 25 30			
			4	10 15 20 25 30			
	0.5		5	10 15 20 25 30			
			6	10 15 20 25 30			
			8	20 30 40			
3	10	30 40 50 60					

⚠ For orders of 1 ~ 9 pc(s): Unit Price + Low Quantity Surcharge (1 Line Item) ⚠ For orders larger than indicated quantity, please check with WOS.

∅1	∅2	Part Number		L	Unit Price	Volume Discount Rate		
		Type	D			1~9 pc(s)	10~49	50~99
0.4	0.1	MSVC	1	5 6 8 10				
			1.5	5 6 8 10				
0.6	0.2		2	5 6 8 10				
			3	6 8 10 15 20 25 30				
1	0.5		4	8 10 15 20 25 30				
			5	10 15 20 25 30				
2	6	10 15 20 25 30						
2.5	8	20 30 40						
3	10	30 40 50 60						

⚠ For orders larger than indicated quantity, please check with WOS.

For orders larger than indicated quantity, please request a quotation. P99

Ordering Example

Part Number	-	L
MS2	-	10
MSCM4	-	12
MSV2	-	6

Dowel Pins

Oversized

One End Tapped

RoHS

Type	Material	Hardness
MSTP	EN 1.3505 Equiv.	58HRC~
MSTPC	EN 1.4125 Equiv.	58HRC~
MSTPCS	EN 1.4301 Equiv.	-

Air Vent Depth
All air vents are identical in depth.

When D=5 or 6 and L=10, the pilot hole for tapping may go through.
 * $l=6$ only when D=6 and L=10
 l_1 dimension may become larger than the value shown in the catalog due to polishing process.

l_1	MxP	l	Part Number		L	Unit Price	Volume Discount Rate
			Type	D			
1.5	3x0.5	6	MSTP	5	10 15 20 25 30		
					6	20 30	
2.0	4x0.7	*8	MSTP	6	10 15 25 35 40 50		
					8	15 20 25 35 40 45 50 60	
2.5	6x1.0	10	MSTP	10	15 20 25 30 35 45 50 60 70		
					12	20 30 40 50 60 70	
3.0	8x1.25	15	MSTP	13	40 50 60 70		
					16	40 50 60 70	

For orders larger than indicated quantity, please check with WOS.

l_1	MxP	l	Part Number		L	Unit Price	Volume Discount Rate
			Type	D			
1.5	3x0.5	6	MSTPC	5	10 15 20		
					6	15 20 25 30	
2.0	4x0.7	8	MSTPC	8	15 20 25 30 35 40		
					10	20 25 30 35 40 45 50 60	
2.5	6x1.0	10	MSTPC	12	30 40 50 60		
					13	30 40 50 60	

For orders larger than indicated quantity, please check with WOS.

l_1	MxP	l	Part Number		L	Unit Price	Volume Discount Rate
			Type	D			
1.5	3x0.5	6	MSTPCS	5	10 15 20 25 30		
					6	10 15 20 25 30 35 40	
2.0	4x0.7	8	MSTPCS	8	15 20 25 30 35 40 45 50		

For orders larger than indicated quantity, please check with WOS.

One End Tapped (Hollow)

RoHS

Type	Material	Hardness
THS	EN 1.3505 Equiv.	45~50HRC
THSS	EN 1.4125 Equiv.	45~50HRC

l_1, l_2 dimension may become larger than the value shown in the catalog due to polishing process.

l_1	l_2	l	MxP	Dp6	Part Number		L	Unit Price	Volume Discount Rate
					Type	D			
2	0.3	8	4x0.7	+0.020 +0.012	THS	6	15 20 25 30 35		
							8	15 20 25 30 35	
2.5	0.5	10	5x0.8	+0.024 +0.015	THS	10	20 25 30 35 40		
							12	20 25 30 35 40 45	

For orders larger than indicated quantity, please check with WOS.

l_1	l_2	l	MxP	Dp6	Part Number		L	Unit Price	Volume Discount Rate
					Type	D			
2	0.3	8	4x0.7	+0.020 +0.012	THSS	6	15 20 25 30 35		
							8	15 20 25 30 35	
2.5	0.5	10	5x0.8	+0.024 +0.015	THSS	10	20 25 30 35 40		
							12	20 25 30 35 40 45	

For orders larger than indicated quantity, please check with WOS.

One End Tapped

RoHS

Type	D Tolerance	Material	Hardness
MST	p6	EN 1.3505 Equiv.	45~50HRC
MSTM	m6	EN 1.4125 Equiv.	45~50HRC
MSTMS	m6	EN 1.4125 Equiv.	45~50HRC

(Identification Groove) (Identification Mark)

Air Vent Depth
All air vents are identical in depth.

When D=5 or 6 and L=10, the pilot hole for tapping may go through.
 * $l=6$ only when D=6 and L=10
 l_1, l_2 dimension may become larger than the value shown in the catalog due to polishing process.

l_1	l_2	MxP	l	Dp6	Part Number		L	Unit Price	Volume Discount Rate
					Type	D			
1.5	0.5	3x0.5	6	+0.020 +0.012	MST	5	10 15 20 25 30		
							6	20 30	
2.0	0.5	4x0.7	*8	+0.024 +0.015	MST	6	10 15 25 35 40 50		
							8	15 20 25 30 35 40 45 50 60	
2.5	1.0	6x1.0	10	+0.029 +0.018	MST	10	15 20 25 30 35 45 50 60 70		
							12	20 30 40 50 60 70	
3.0	1.5	8x1.25	15	+0.035 +0.022	MST	13	40 50 60 70		
							16	40 50 60 70 80	

For orders larger than indicated quantity, please check with WOS.

l_1	l_2	MxP	l	Dm6	Part Number		L	Unit Price	Volume Discount Rate
					Type	D			
1.5	0.3	3x0.5	6	+0.012 +0.004	MSTM	5	10 15 20 25 30		
							6	10 15 25 35 40 50	
2.0	0.5	4x0.7	*8	+0.015 +0.006	MSTM	6	15 20 25 30 35 40 45 50 60		
							8	15 20 25 30 35 40 45 50 60	
2.5	1.0	6x1.0	10	+0.018 +0.007	MSTM	10	15 20 25 30 35 45 50 60 70		
							12	20 30 40 50 60 70	
3.0	1.5	8x1.25	15	+0.021 +0.008	MSTM	13	40 50 60 70		
							16	40 50 60 70 80	

For orders larger than indicated quantity, please check with WOS.

l_1	l_2	MxP	l	Dm6	Part Number		L	Unit Price	Volume Discount Rate
					Type	D			
1.5	0.3	3x0.5	6	+0.012 +0.004	MSTMS	5	10 15 20		
							6	10 15 25 30	
2.0	0.5	4x0.7	*8	+0.015 +0.006	MSTMS	6	15 20 25 30 35 40		
							8	15 20 25 30 35 40	

For orders larger than indicated quantity, please check with WOS.

Tapered, Tapped

RoHS

Type	Material	Hardness
MTT	ISO-TC90 Equiv.	45 ~ 50HRC

Ordering Example: Part Number - L
 MSTP5 - 10
 MSTMS6 - 20

MxP	l	Part Number		L	Unit Price	Volume Discount Rate
		Type	D			
5x0.8	9	MST	8	30 40		
				10	40 50	
6x1.0	10	MST	12	40 50		
				13	50 60	
8x1.25	14	MST	16	60 70		



For orders larger than indicated quantity, please check with WOS.

For orders larger than indicated quantity, please check with WOS.
 For orders larger than indicated quantity, please request a quotation. P99

Dowel Pins / General Purpose Pins

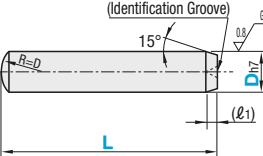
Undersized

Dowel Pin - Straight (h7)

RoHS

Type	Material	Hardness
MSH	EN 1.4125 Equiv.	45~50HRC
MSHS	EN 1.4301 Equiv.	-





Ⓢ The identification groove is available for MSH only.
 Ⓢ Ø1.5 or smaller pins have no identification groove.
 Ⓢ ℓ1 dimension may become larger than the value shown in the catalog due to polishing process.

ℓ1	Dh7	Part Number		L	Unit Price 1 ~ 9 pc(s)	Volume Discount Rate			
		Type	D			10~49	50~99	100~500	
0.4	0	MSH	1	5 6 8 10					
				1.5	5 6 8 10				
0.6	2		5 6 8 10 12 15 20						
			2.5	6 8 10 12 15 20 25 30					
1	0		3	6 8 10 12 15 20 25 30 35 40					
				4	8 10 12 15 20 25 30 35 40 45 50				
1.5	0		5	8 10 12 15 20 25 30 35 40 45 50					
				6	8 10 12 15 20 25 30 35 40 45 50 55 60				
2	0		8	10 15 20 25 30 35 40 50 60					
				10	15 20 25 30 35 40 50 60				
2.5	0								

Ⓢ For orders larger than indicated quantity, please check with WOS.

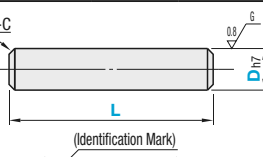

ℓ1	Dh7	Part Number		L	Unit Price 1 ~ 9 pc(s)	Volume Discount Rate			
		Type	D			10~49	50~99	100~200	
0.4	0	MSHS	1	5 6 8 10					
				1.5	5 6 8 10				
0.6	2		5 6 8 10 12 15 18 20						
			2.5	6 8 10 12 15					
1	0		3	6 8 10 12 15 18 20					
				4	8 10 12 15 18 20				
1.5	0		5	8 10 12 15 18 20					
				6	10 12 15 18 20				
2	0		8	15 18 20					

Dowel Pins - Chamfered

RoHS

Type	Material	Hardness
MSHHM	EN 1.4125 Equiv.	58HRC~
MSHSM	EN 1.4301 Equiv.	-

Ⓢ For orders larger than indicated quantity, please check with WOS.



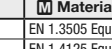
C	Dh7	Part Number		L	Unit Price 1 ~ 19 pc(s)	Volume Discount Rate			
		Type	D			20~29	30~49	50~100	
0.3 or Less	0	MSHHM	2	6 8 10 12 15					
				3	6 8 10 12 15 20				
0	4		8 10 12 15 20						
			5	8 10 12 15 20					
0.5	0		6	10 12 15 20					
				8	15 20				

Ⓢ For orders larger than indicated quantity, please check with WOS.

C	Dh7	Part Number		L	Unit Price 1 ~ 19 pc(s)	Volume Discount Rate			
		Type	D			20~29	30~49	50~100	
0.3 or Less	0	MSHSM	2	6 8 10 12 15					
				3	6 8 10 12 15 20				
0	4		8 10 12 15 20						
			5	8 10 12 15 20					
0.5	0		6	10 12 15 20					
				8	15 20				

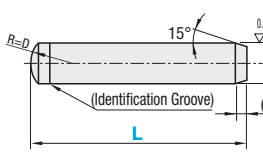

Ⓢ For orders larger than indicated quantity, please check with WOS.

General Purpose Pin - Straight (g6)

RoHS

Type	Material	Hardness
MSGB	EN 1.3505 Equiv.	58HRC~
MSGS	EN 1.4125 Equiv.	58HRC~
MSGSS	EN 1.4301 Equiv.	-


Ⓢ ℓ1 dimension may become larger than the value shown in the catalog due to polishing process.

ℓ1	Dg6	Part Number		L						
		Type	D	2	6	8	10	12	15	
1.0	-0.002 -0.008	MSGB MSGS MSGSS	2	6 8 10 12 15						
				3	6 8 10 12 15 20					
1.5	-0.004 -0.012		4	8 10 12 15 20						
				5	8 10 12 15 20					
2.0	-0.005 -0.014		6	10 12 15 20						
				8	15 20					

D	MSGB				MSGS				MSGSS			
	Unit Price 1 ~ 19 pc(s)	Volume Discount Rate 20~29	30~49	50~100	Unit Price 1 ~ 19 pc(s)	Volume Discount Rate 20~29	30~49	50~100	Unit Price 1 ~ 19 pc(s)	Volume Discount Rate 20~29	30~49	50~100
2												
3												
4												
5												
6												
8												

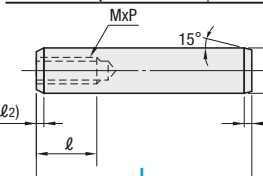
Ⓢ For orders larger than indicated quantity, please check with WOS.

Dowel Pin One End Tapped (h7)



RoHS

Type	Material	Hardness
MSHT	EN 1.4125 Equiv.	40~50HRC





Ⓢ When D=5 or 6 and L=10, the pilot hole for tapping may go through.
 Ⓢ ℓ=6 only when D=6 and L=10
 Ⓢ ℓ1, ℓ2 dimension may become larger than the value shown in the catalog due to polishing process.

ℓ1	ℓ2	MxP	ℓ	Dh7	Part Number		L	Unit Price 1 ~ 499 pc(s)	Volume Discount Rate 500~999	1000~1999	2000~4000
					Type	D					
1.5	0.3	3 x 0.5	6	0	MSHT	5	10 15 20 25 30				
							6	10 15 20 25 30 35 40 45 50			
2.0	0.5	4 x 0.7	*8	0		8	15 20 25 30 35 40 45 50				
							10	15 20 25 30 35 40 45 50			
2.5	1.0	6 x 1.0	10	0		12	30 35 40 45 50				

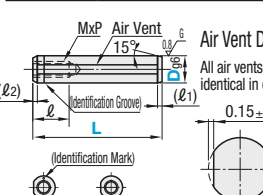
Ⓢ For orders larger than indicated quantity, please check with WOS.

General Purpose Pins - One End Tapped (g6)

RoHS

Type	Material	Hardness
MSTG	EN 1.3505 Equiv.	45~50HRC
MSTSG	EN 1.4125 Equiv.	45~50HRC



Ⓢ All air vents are identical in depth.
 Ⓢ ℓ1, ℓ2 dimension may become larger than the value shown in the catalog due to polishing process.

ℓ1	ℓ2	MxP	ℓ	Dg6	Part Number		L	Unit Price 1 ~ 19 pc(s)	Volume Discount Rate 20~29	30~49	50~100
					Type	D					
1.5	0.3	3x0.5	6	-0.004 -0.012	MSTG MSTSG	5	10 15 20				
							6	10 15 20 25 30			
2.0	0.3	4x0.7	8	-0.005 -0.014		8	15 20 25 30 35 40				
							10	20 25 30 35 40			
2.5	0.5	5x0.8	8	-0.006 -0.017		12	30 35 40 45				

Ⓢ For orders larger than indicated quantity, please check with WOS.

ℓ1	ℓ2	MxP	ℓ	Dg6	Part Number		L	Unit Price 1 ~ 19 pc(s)	Volume Discount Rate 20~29	30~49	50~100
					Type	D					
1.5	0.3	3x0.5	6	-0.004 -0.012	MSTSG	5	10 15 20				
							6	10 15 20 25 30			
2.0	0.3	4x0.7	8	-0.005 -0.014		8	15 20 25 30 40				
							10	20 25 30 40			
2.5	0.5	6x1.0	10	-0.005 -0.014		12	30 35 40 45				

Ⓢ For orders larger than indicated quantity, please check with WOS.

Ordering Example
 Part Number - L
 MSH2 - 6
 MSG3 - 12

Dowel Pins / Dowel Removal Jigs

Undersized

Dual-Fit Dowel Pins

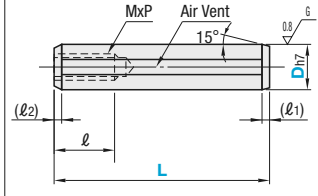
p6-h7 p6-g6 / Hollow, Tapped

Dowel Pin One End Tapped (h7)

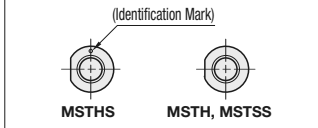


Type	Material	Hardness
MSTH	EN 1.3505 Equiv.	45~50HRC
MSTHS	EN 1.4125 Equiv.	45~50HRC
MSTSS	EN 1.4301 Equiv.	-

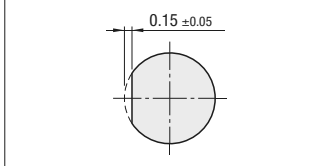
MSTH MSTHS MSTSS



- When D=5 or 6 and L=10, the pilot hole for tapping may go through.
- l2=6 only when D=6 and L=10
- With an air vent.



All air vents are identical in depth.
Applicable Products: MSTH, MSTHS, MSTSS



Ordering Example: Part Number - L
MSTHS6 - 10

l1, l2 dimension may become larger than the value shown in the catalog due to polishing process.

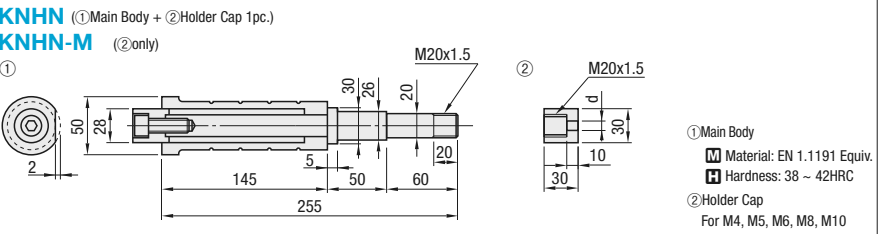
l1	l2	MxP	D	Dn7	Part Number		L	Unit Price	Volume Discount Rate	
					Type	D				
1.5	0.3	3x0.5	6	0	0	5	10 15 20 25 30			
							6			10 15 20 25 30 35 40
										50
2.0	0.5	4x0.7	8	0	8	15 20 25 30 35 40 45	50 60 70			
						80				
						100 120				
2.5	1.0	5x0.8	10	0	10	15 20 25 30 35 40 45	50 60 70			
						80				
						100 120				
3.0	1.5	6x1.0	15	0	16	40 50	60 70			
						80				
						100 120 150				

l1	l2	MxP	D	Dn7	Part Number		L	Unit Price	Volume Discount Rate	
					Type	D				
1.5	0.3	3x0.5	6	0	5	10 15 20				
						6				10 15 20 25 30
										8
2.0	0.5	4x0.7	8	0	8	15 20 25 30 35 40				
						10				30 35 40 45

l1	l2	MxP	D	Dn7	Part Number		L	Unit Price	Volume Discount Rate	
					Type	D				
1.5	0.3	3x0.5	6	0	5	10 15 20				
						6				10 15 20 25 30
										8
2.0	0.5	4x0.7	8	0	8	15 20 25 30 35 40				
						10				30 35 40 45

For orders larger than indicated quantity, please check with WOS.

Dowel Removal Jigs

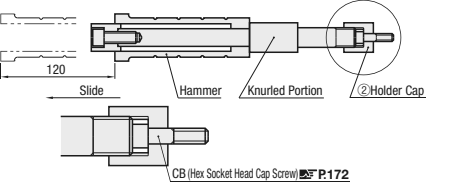


Part Number	Unit Price	Volume Discount Rate
KNHN (1)+(2)	1 ~ 9 pc(s).	10~20

Ordering Example: Part Number
KNHN
KNHN - M5

How to Use

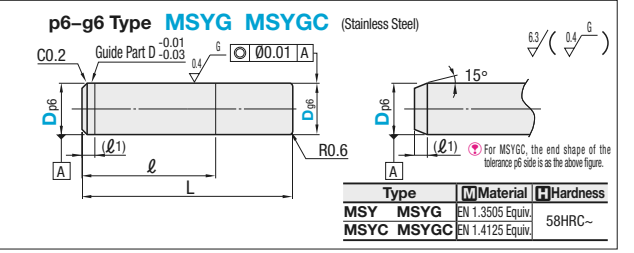
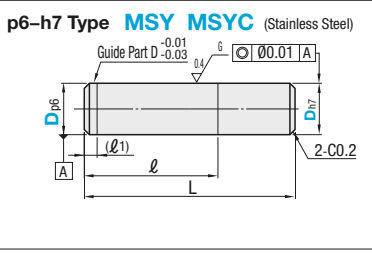
- Insert the hex socket head cap screw (CB) into the holder cap.
- Attach (2) holder cap to the tip of main body.
- Attach screw tip onto the dowel pin by turning the knurled portion of shaft.
- Slide the hammer to remove dowel pin.



For orders larger than indicated quantity, please check with WOS.

l1, l2 dimension may become larger than the value shown in the catalog due to polishing process.

Dual-Fit Dowel Pins



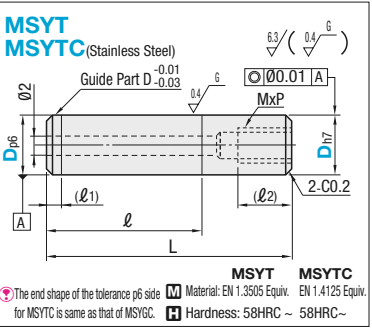
Part Number	D	D Tolerance	No.	L	l1	MSY		MSYG		
						Unit Price	Volume Discount Rate	Unit Price	Volume Discount Rate	
3	3	+0.012 / +0.006	0	3	1	1.5	803	1-99	1205	1-99
							8	100-1000	1208	100-1000
							805		1508	
							1003		1512	
							1005		1518	
							10		1520	
							12		1512	
							15		1518	
							20		1520	
							20		1512	
							20		1518	
							20		1520	
4	4	+0.020 / +0.012	0	4	1.5	1.5	803	1-99	1205	1-99
							8	100-1000	1208	100-1000
							805		1508	
							1003		1512	
							1005		1518	
							10		1520	
							12		1512	
							15		1518	
							20		1520	
							20		1512	
							20		1518	
							20		1520	
5	5	+0.020 / +0.012	0	5	1.5	1.5	803	1-99	1205	1-99
							8	100-1000	1208	100-1000
							805		1508	
							1003		1512	
							1005		1518	
							10		1520	
							12		1512	
							15		1518	
							20		1520	
							20		1512	
							20		1518	
							20		1520	
6	6	+0.024 / +0.015	0	6	2	2	803	1-99	1205	1-99
							8	100-1000	1208	100-1000
							805		1508	
							1003		1512	
							1005		1518	
							10		1520	
							12		1512	
							15		1518	
							20		1520	
							20		1512	
							20		1518	
							20		1520	
8	8	+0.028 / +0.018	0	8	2	2	803	1-99	1205	1-99
							8	100-1000	1208	100-1000
							805		1508	
							1003		1512	
							1005		1518	
							10		1520	
							12		1512	
							15		1518	
							20		1520	
							20		1512	
							20		1518	
							20		1520	

For orders larger than indicated quantity, please check with WOS.

Part Number	D	D Tolerance	No.	L	l1	MSY		MSYG		
						Unit Price	Volume Discount Rate	Unit Price	Volume Discount Rate	
3	3	+0.012 / +0.006	0	3	1	1.5	803	1-99	1205	1-99
							8	100-1000	1208	100-1000
							805		1508	
							1003		1512	
							1005		1518	
							10		1520	
							12		1512	
							15		1518	
							20		1520	
							20		1512	
							20		1518	
							20		1520	
4	4	+0.020 / +0.012	0	4	1.5	1.5	803	1-99	1205	1-99
							8	100-1000	1208	100-1000
							805		1508	
							1003		1512	
							1005		1518	
							10		1520	
							12		1512	
							15		1518	
							20		1520	
							20		1512	
							20		1518	
							20		1520	
5	5	+0.020 / +0.012	0	5	1.5	1.5	803	1-99	1205	1-99
							8	100-1000	1208	100-1000
							805		1508	
							1003		1512	
							1005		1518	
							10		1520	
							12		1512	
							15		1518	
							20		1520	
							20		1512	
							20		1518	
							20		1520	
6	6	+0.024 / +0.015	0	6	2	2	803	1-99	1205	1-99
							8	100-1000	1208	100-1000
							805		1508	
							1003		1512	
							1005		1518	
							10		1520	
							12		1512	
							15		1518	
							20		1520	
							20		1512	
							20		1518	
							20		1520	
8	8	+0.028 / +0.018	0	8	2	2	803	1-99	1205	1-99
							8	100-1000	1208	100-1000
							805		1508	
							1003		1512	
							1005		1518	
							10		1520	
							12		1512	
							15		1518	
							20		1520	
							20		1512	
							20		1518	
							20		1520	

For orders larger than indicated quantity, please check with WOS.

Dual-Fit Dowel Pins Hollow, Tapped

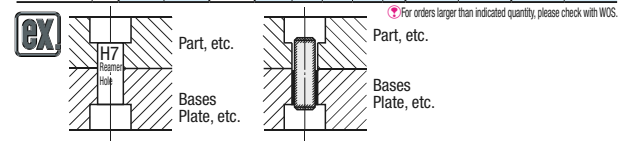


Part Number	D	D Tolerance	No.	MxP	L	l1	l2	MSYT		MSYTC	
								Unit Price	Volume Discount Rate	Unit Price	Volume Discount Rate
6	6	+0.020 / +0.012	0	4x0.7	1.5	1.5	5	1205	1-99	1205	1-99
								12	100-1000	1208	100-1000
								1508		1512	
								15		1518	
								1512		1520	
								18		1512	
								20		1518	
								20		1520	
								20		1512	
								20		1518	
								20		1520	
								8	8	+0.024 / +0.015	0
12	100-1000	1208	100-1000								
1508		1512									
15		1518									
1512		1520									
18		1512									
20		1518									
20		1520									
20		1512									
20		1518									
20		1520									
10	10	+0.028 / +0.018	0	6x1.0	10	10	10				
								12	100-1000	1208	100-1000
								1508		1512	
								15		1518	
								1512		1520	
								18		1512	
								20		1518	
								20		1520	
								20		1512	
								20		1518	
								20		1520	

For orders larger than indicated quantity, please check with WOS.

Ordering Example

Part Number	No.
MSY3	10
MSYG6	1208
MSYT8	18



For orders larger than indicated quantity, please check with WOS.

Stepped Dowel Pins / Insulating Dowel Pins / Plastic Dowel Pins

Spring Pins

Stepped Dowel Pins Standard with Tapped Hole

MSFW
MSFWC (Stainless Steel)

MSFWM (With Tapped Hole)
MSFWCM (Stainless Steel with Tapped Hole)

Example

Type	Material	Hardness
MSFW	MSFWM	EN 1.3505 Equiv. 58HRC~
MSFWC	MSFWCM	EN 1.4125 Equiv.

Convenient for readjustment and prevention to fall off.

Part Number Type	D	L	MxP	ℓ	d	dL	Unit Price			
							MSFW	MSFWC	MSFWM	MSFWCM
5	15	-	-	-	4	5				
	25	-	-	-	4	10				
6	20	-	-	-	5	10				
	30	3x0.5	6	-	5	15				
8	25	4x0.7	-	-	6	10				
	35	-	-	-	6	15				
10	35	5x0.8	-	-	8	15				
	40	-	-	-	8	15				
13	45	6x1.0	10	10	10	20				
	55	-	-	-	10	25				
	70	-	-	-	10	30				

Ordering Example: Part Number **MSFW10** - **L35**

Ordering Example: Part Number **MSIP6** - **L30**

Insulating Dowel Pins

MSIP

Body: Fabric Base Bakelite Core Rod: EN 1.4301 Equiv.
Properties of Bakelite **P955**
The D dimension tolerance is the result of measurement at room temperature (20°C).

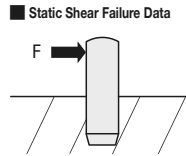
Part Number Type	D	D Tolerance	d	L											Unit Price					
				L8-10	L15	L20	L25	L30	L35	L40	L45	L50								
MSIP	6	+0.03 0	3	8	10	15	20	25	30	35	40									
	8		4	10	15	20	25	30	35	40										
	9		5	15	20	25	30	35	40	45	50									
	10		5	15	20	25	30	35	40	45	50									
	12		6	20	25	30	35	40	45	50										

Plastic Dowel Pins

MSIPJ

Material: Polycarbonate
Properties of Polycarbonate **P949**
The D dimension tolerance is the result of measurement at room temperature (20°C).

Part Number Type	D	D Tolerance	ℓ	L				Unit Price		D	Static Yield Load (kN)
				L10	L15	L20	L25				
MSIPJ	3	+0.03 0	1.0	10	15	20			3	0.4	
	4		1.5	10	15	20			4	0.6	
	5		2.0	10	15	20			5	1.1	
	6		2.0	10	15	20	25			6	1.4
	8		2.0	15	20	25			8	2.1	



Spring Pins

SSPR **SSPSR** (Stainless Steel)

L	L Tolerance
5~ 10	+0.5 0
12~ 50	+1.0 0
56~100	+1.5 0

Type	Material	Hardness
JIS-SSPR	Spring Steel	45-50HRC
JIS-SSPSR	Spring Stainless Steel Alloy	42-48HRC

Part Number Type	D - L	*kN		t (Reference)		D	
		JIS-SSPR	JIS-SSPSR	JIS-SSPR	JIS-SSPSR	min	max
SSPR (D2-10)	2	2.76	2.76	0.4	0.4	2.15	2.25
	3	6.2	6.2	0.6	0.6	3.15	3.25
	4	10.8	10.8	0.8	0.8	4.2	4.4
SSPSR (D2-6)	5	17.25	17.25	1	1	5.2	5.4
	6	24.83	24.83	1.2	1.2	6.2	6.4
	8	44.13	-	1.6	-	8.3	8.6
	10	68.94	-	2	-	10.3	10.6

Maximum value of D is the maximum value on the pin's circumference and the minimum value for D is the average of D1, D2 and D3.
Reference: t conforms to JSMA No. 6 (Japan Spring Manufacturers Association Standard).
* kN = Minimum Double Shearing Load

Part Number Type	D - L	SSPR		SSPSR	
		Unit Price	Volume Discount Rate	Unit Price	Volume Discount Rate
SSPR	2- 5	1 ~ 99 pcs.	100 ~ 1000 pcs.	1 ~ 99 pcs.	100 ~ 1000 pcs.
SSPSR (Stainless Steel)	6- 20				
SSPR	3- 6				
SSPSR (Stainless Steel)	8- 56				
SSPR	4- 8				
SSPSR (Stainless Steel)	10- 80				
SSPR	5- 10				
SSPSR (Stainless Steel)	12- 100				

Part Number Type	D - L	SSPR		SSPSR	
		Unit Price	Volume Discount Rate	Unit Price	Volume Discount Rate
SSPR	6- 12	1 ~ 99 pcs.	100 ~ 1000 pcs.	1 ~ 99 pcs.	100 ~ 1000 pcs.
SSPSR (Stainless Steel)	14- 56				
SSPR	8- 16				
SSPSR (Stainless Steel)	18- 100				

No specifications available for sizes with no prices shown.