


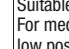
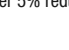
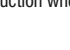


Support Units Overview






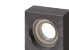













Support Units Lineup

Part New release!

Shape	Type	Product Name						Features
		Fixed Side [Part Number]			Support Side [Part Number]			
		Bearing used	Part Number	Bearing used	Part Number	Bearing used	Part Number	
Square	Standard	Oversea manufactured Angular Contact Bearing Class P5	C-BSW		Oversea manufactured Radial Bearing	C-BUN		(Industry Standard Product) Suitable for assembly with C-VALUE ball screw*. For medium-low operation frequency, medium-low positioning precision usage. 20% reduced from existing products! Further 5% reduction when ordering in Sets.
	Standard Narrow Pitch	Oversea manufactured Angular Contact Bearing Class P5	C-BSFW		Oversea manufactured Radial Bearing	C-BUFN		
Round	Standard	Oversea manufactured Angular Contact Bearing Class P5	C-BRW		Oversea manufactured Radial Bearing	C-BUR		

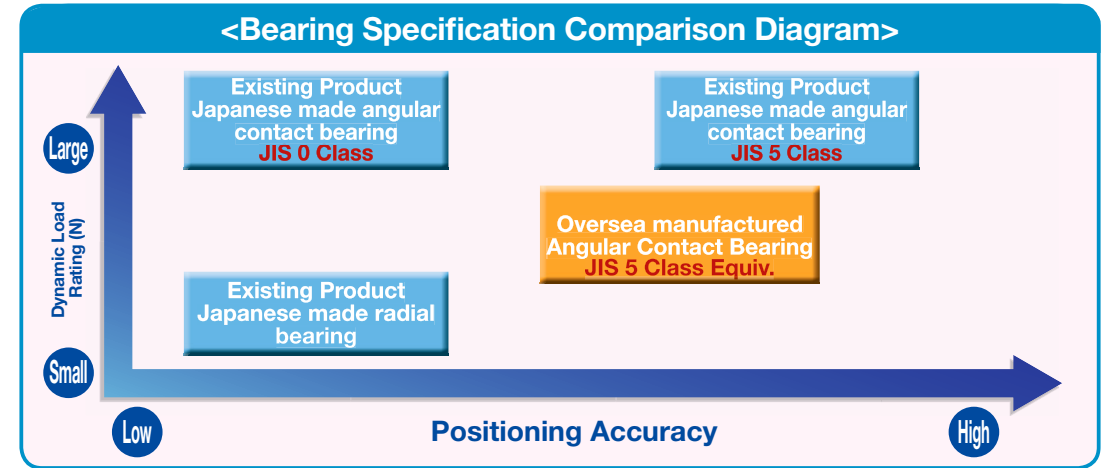
* Excludes C-BSFW15,20, C-BUFN15,20.

Existing Part

Shape	Type	Product Name						Features
		Fixed Side [Part Number]			Support Side [Part Number]			
		Bearing used	Part Number	Bearing used	Part Number	Bearing used	Part Number	
Square	Standard	Japanese Made Angular Contact Bearing Class P5	BSW BSWN BSWR		Japanese Made Radial Bearing	BUN BUNM BUNR		Industry Standard
	Economy	Japanese Made Angular Contact Bearing Class P0	BSWE BSWEM BSWER		-	-	-	Angular Contact Bearing Class P0 is used
	Radial	Japanese Made Radial Bearing	BSWZ BSWZM		-	-	-	Radial Bearing used.
	Compact	Japanese Made Angular Contact Bearing Class P0	BSQ BSQM		Japanese Made Radial Bearing	BUQ BUQM		Easy to use in a limited width space. Suitable for small devices.
	Low Profile	Japanese Made Angular Contact Bearing Class P5	BSV BSVM		Japanese Made Radial Bearing	BUV BUVM		Lower profile linear motion units can be made. Recommended to use together with Compact Nut. (BSSC in P.687~)
	Narrow Pitch	Japanese Made Angular Contact Bearing Class P5	BSA BSAM		Japanese Made Radial Bearing	BUA BUAM		Easy to use in a limited width space. Suitable for small devices.
	With Damper	Japanese Made Angular Contact Bearing Class P5	BSWD		Japanese Made Radial Bearing	BUND		Unnecessary to design a damper mechanism.
	[Fixed Side] With Dowel Holes [Support Side] With Retaining Ring	Japanese Made Angular Contact Bearing Class P5	BSWG BSWGN		Japanese Made Radial Bearing	BTN BTNM		[BSWG/BSWGN] Easy locating of the housing. [BTN, BTNM] Easy to assemble while preventing the bearing from falling off.
	AC Servo Motor Bracket	Japanese Made Angular Contact Bearing Class P5	BJS BJSJ		-	-	-	Ball screws and motors shaft centering are secured by only mounting and aligning a motor with a build-in pilot.
	Round	Standard	Japanese Made Angular Contact Bearing Class P5	BRW BRWN BRWR		Japanese Made Radial Bearing	BUR BURM BURR	
Economy		Japanese Made Angular Contact Bearing Class P0	BRWE BRWEM BRWER		-	-	-	Angular Contact Bearing Class P0 is used.
Radial		Japanese Made Radial Bearing	BRWZ BRWZM		-	-	-	Radial Bearing used.

Specification Differences between Existing Parts and Parts

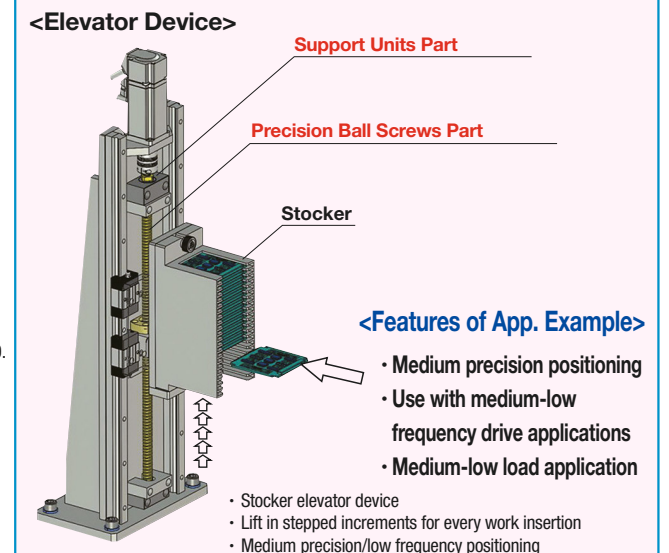
- parts have different bearing load rating from the existing products.
- Select the ball screw suitable for the usage criteria, otherwise it will affect the device's lifespan performance and its positioning performance.



Selection Points

- We recommend support units be used together with ball screws.
- Consider using for devices requiring medium precision positioning, medium load application or medium-low operation frequency.
- Consider using existing parts for high precision positioning, high load application, or high operation frequency.

Support Units Part App. Example

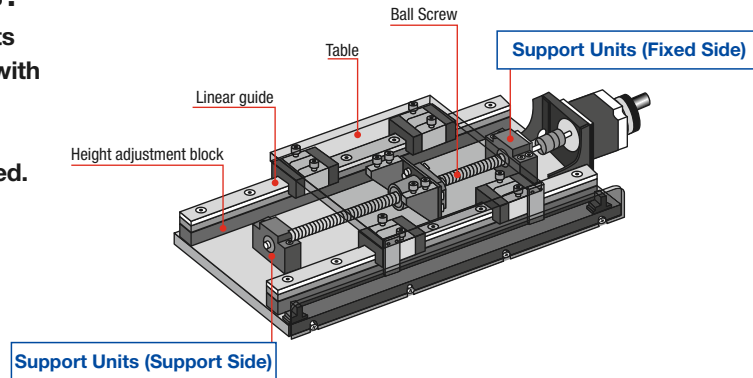


Overview of Support Units

Technique and Structure

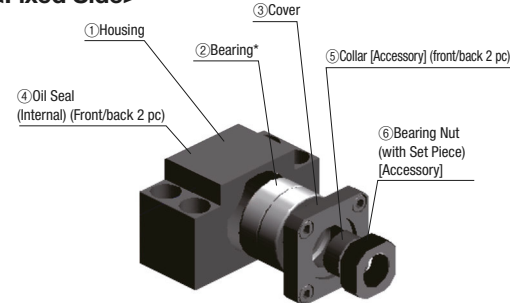
What are Support Units?

- Dedicated bearing components that are always used as a set with ball screws.
- Angular contact bearings that receive large axial load are used.



Structure of Support Units

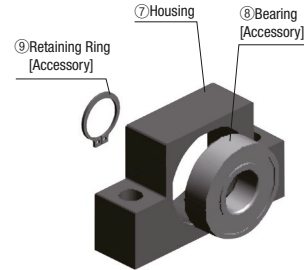
<Fixed Side>



Performance	Number	Part Name	Package Unit
Fixed Side	①	Housing	Main Body Package
	②	Bearing*	
	③	Cover	
	④	Oil Seal	Accessory Package
	⑤	Collar 2 pcs.	
	⑥	Bearing Nut	

*Accuracy differs among bearing type. For details, refer to the next page.

<Support Side>

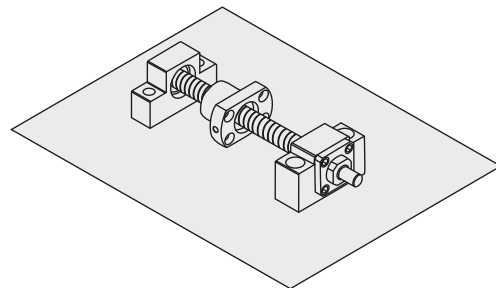


Performance	Number	Part Name	Package Unit
Support Side	⑦	Housing	Main Body Package
	⑧	Bearing	
	⑨	Retaining Ring	Accessory Package

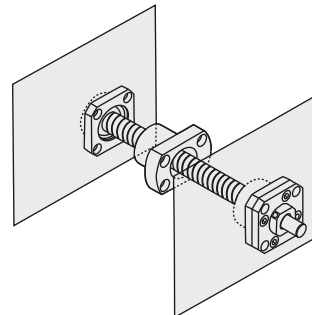
***Do not disassemble the unit of fixed side ① to ④, as they must remain as assembled units!**

Shape of Support Units and Mounting Examples

Square



Round

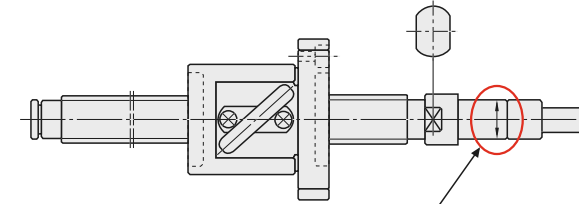


Combination with MISUMI Ball Screws

Combination of Ball Screws and Support Units

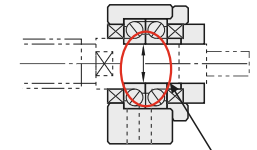
When selecting Support Units for Ball Screws, note that it can be combined if dimensions of bearing installation part on Fixed Side of the Ball Screw [Fig. 1] and bearing I.D. of the Support Unit [Fig. 2] are the same.

[Fig. 1] <Example of Ball Screw BSS1505>



Bearing Installation Part on Ball Screw Fixed Side

[Fig. 2] <Example of Support Unit BSW12>



Support Units Bearing I.D.

Ball Screw Part Number	Accuracy Grade C3	BSX0601	-	BSX0801 BSX0802 BSX1002	-	BSX1202 BSX1205	BSX1505	-	-	-
	Accuracy Grade C5	-	BSS1002 C-BSS1002	BSS0802 BSS1202	BSS1004 BSS1205 BSS1204 BSS1210	BSS1010	Step ① BSS15□□ C-BSS15□□	BSS20□□ C-BSS20□□	BSS25□□ C-BSS25□□	-
Accuracy Grade C7	BSST0802	BSSE1002 BSST1004	BSSE0802 BSSE1202	BSSE1004 BSSE1205 BSSE1210 BSST1204	-	BSSE15□□ BSST15□□	BSSE20□□ BSST20□□	BSSE25□□ BSST25□□	-	
Accuracy Grade C10	BSSR08□□ BSSZ08□□ BSSC08□□ C-BSSC08□□	BSSR10□□ BSSZ10□□ BSSC10□□ C-BSSC10□□	-	BSSR12□□ BSSZ12□□ BSSC12□□ C-BSSC12□□	BSSR14□□ BSSZ14□□	BSSR15□□ BSSZ15□□ BSSC15□□ C-BSSC15□□	BSSR20□□ BSSZ20□□ BSSC20□□ C-BSSC20□□	BSSR25□□ BSSZ25□□ BSSC25□□ C-BSSC25□□	BSSR32□□ BSSZ32□□	
Fixed Side Shaft Dia. of Ball Screws (Bearing Installation Part)	∅6	∅8		∅10		Step ② ∅12	∅15	∅20	∅25	
Support Units (Bearing I.D.)	No.6	No.8S	No.8	No.10S	No.1022 No.10	Step ③ No.12	No.152□ No.15*	No.20*	No.25	
	No.6L	-	-	-	-	-	-	-	-	

[Example]

- Step ①** Confirm that shaft diameter of the Ball Screw is 15.
- Step ②** Confirm that dimension of the bearing installation part on fixed side of the Ball Screw is ∅12.
- Step ③** Determine that corresponding bearing I.D. of the Support Unit is No.12.

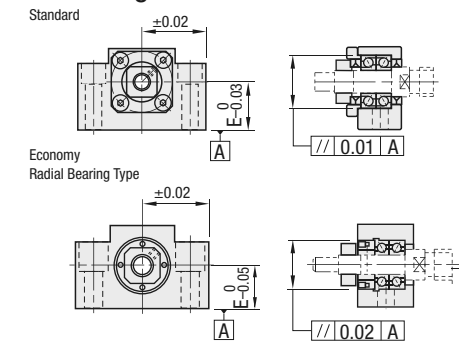
* Except C-BSFW15,20, C-BUFW15,20

Combination of Fixed Side and Support Side Support Units

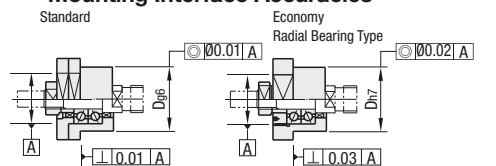
Type	Type	Fixed Side	Page	Support Side	Page
Square	Standard	BSW	P.761	BUN	P.762
		BSWN		BUNM	
	C-VALUE	C-BSW	P.763/765	C-BUN	P.764/766
		C-BSFW*		C-BUFW*	
	Economy	BSWE	P.775	BUN	P.762
		BSWEM		BUNM	
	Radial Bearing Type	BSWZ	P.775	BUN	P.762
		BSWZM		BUNM	
	Compact	BSQ	P.771	BUQ	P.772
		BSQM		BUQM	
Low Profile Type	BSV	P.771	BUV	P.772	
	BSVM		BUVM		
Narrow Mounting Hole Pitch Type	BSA	P.771	BUA	P.772	
	BSAM		BUAM		
with Dowel Holes	BSWG	P.773	BUN	P.762	
	BSWGN		BUNM		
with Damper	BSWD	P.773	BUN	P.774	
	BSWD		BUNM		
Round	Standard	BRW	P.767	BUR	P.768
		BRWN		BURM	
	C-VALUE	C-BRW	P.769	C-BUR	P.770
		C-BRW		C-BUR	
	Economy	BRWE	P.776	BUR	P.768
		BRWEM		BURM	
Radial Bearing Type	BRWZ	P.776	BUR	P.768	
	BRWZM		BURM		

* Excludes C-BSFW15,20, C-BUFW15,20.

Support Units - Square (Fixed Side) Mounting Interface Accuracies



Support Units - Round (Fixed Side) Mounting Interface Accuracies



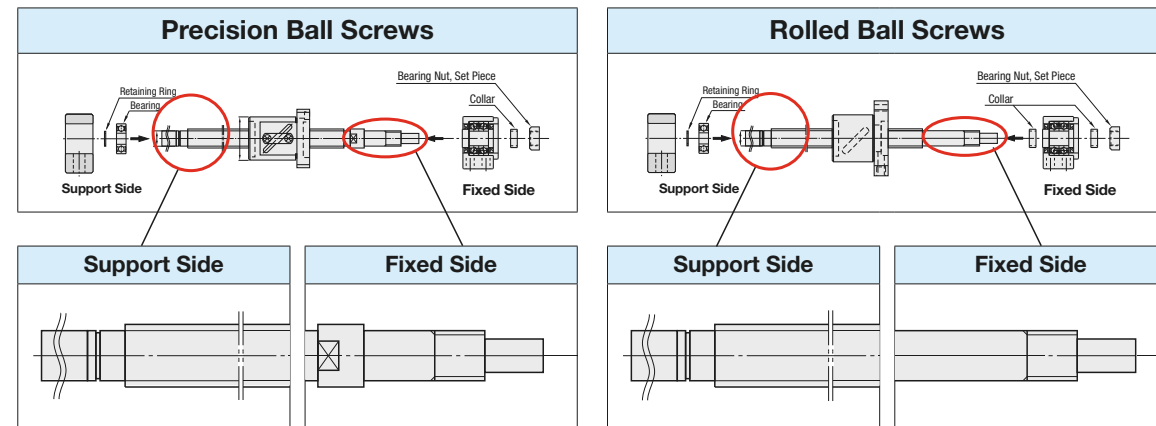
Support unit: For the customer using non-MISUMI ball screws

It is possible to use MISUMI support units in combination with non-MISUMI standard ball screws.

Selection Procedure Select the MISUMI support unit using the following procedure.

Step ① Check the ball screw specifications

Check the specifications of the customers' ball screw. It is necessary to machine the shaft ends in the following shape.



* The support side generally has the same shaft end dimensions for both precision and rolled types.

Step ② Selection of Compatible Support Units

Check the shaft end dimensions of the customers' ball screw and select a support unit from the following compatibility chart.

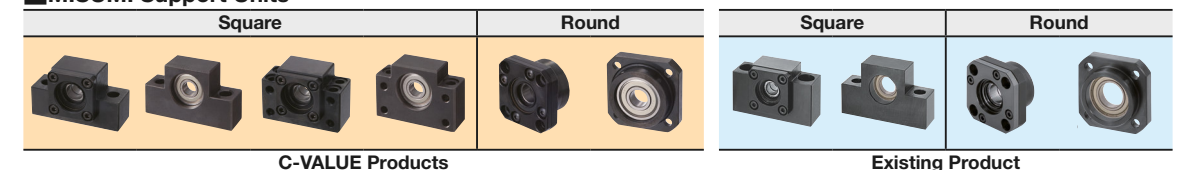
• Ball Screw/Support Unit Compatibility Chart

Ball Screws Shaft Dia.	Ball screw shaft end machining dimensions			Recommended Support Unit			Support Units Shaft End Assembly Diagram			
	Support side (common for precision/rolled)	Precision Ball Screws Fixed Side	Rollled Ball Screws Fixed Side	Support Side	Page	Fixed Side	Page	Support Side	Precision Ball Screws Fixed Side	Rollled Ball Screws Fixed Side
08				Square C-BUN6 P.762 C-BUN6 P.764	P.762 P.764	Square BSW6 P.761 C-BSW6 P.763	P.761 P.763			
010				Square C-BUN8 P.762 C-BUN8 P.764	P.762 P.764	Square BSW8 P.761 C-BSW8 P.763	P.761 P.763			
010 012 015				Square C-BUN10 P.762 C-BUN10 P.764 C-BUN10 P.766	P.762 P.764 P.766	Square BSW10 P.761 C-BSW10 P.763 C-BSW10 P.765	P.761 P.763 P.765			

• Ball Screw/Support Unit Compatibility Chart

Ball Screws Shaft Dia.	Ball screw shaft end machining dimensions			Recommended Support Unit			Support Units Shaft End Assembly Diagram			
	Support side (common for precision/rolled)	Precision Ball Screws Fixed Side	Rollled Ball Screws Fixed Side	Support Side	Page	Fixed Side	Page	Support Side	Precision Ball Screws Fixed Side	Rollled Ball Screws Fixed Side
014 015 016 018				Square C-BUN12 P.762 C-BUN12 P.764 C-BUN12 P.766	P.762 P.764 P.766	Square BSW12 P.761 C-BSW12 P.763 C-BSW12 P.764	P.761 P.763 P.764			
020 025				Square C-BUN15 P.764	P.764	Square C-BSW15 P.763	P.763			
020		-		Square C-BUN15 P.766	P.766	Square C-BSW15 P.765	P.765			
025 028 030 032				Square C-BUN20 P.762 C-BUN20 P.764	P.762 P.764	Square BSW20 P.761 C-BSW20 P.763	P.761 P.763			
028 030 032		-		Square C-BUN20 P.766	P.766	Square C-BSW20 P.765	P.765			
032 036				Square C-BUN25 P.762 C-BUN25 P.764	P.762 P.764	Square BSW25 P.761 C-BSW25 P.763	P.761 P.763			

■ MISUMI Support Units



Support Unit Overview

Precautions on Support Units Installation

Critical Bearing Performances

Bearing Type	Existing Product			C-VALUE Products		
	Japanese made JIS 5 Class Angular Contact Bearing			Japanese made JIS 5 Class Angular Contact Bearing		
	BSW/BRW/BSA/BSV/BSWG/BSWD/BSJ			C-BSW/C-BRW/C-BSFW		
Type	Allowable Axial Load (N)	Basic Dynamic Load Rating (N)	Bearing Type	Allowable Axial Load (N)	Basic Dynamic Load Rating (N)	Bearing Type
6	1040	2670	70M6DF/P5	720	1880	70M6DF/P5
8	1450	4400	70M8DF/P5	1010	3090	70M8DF/P5
10	2730	6100	7000DF/P5	1910	4260	7000DF/P5
12	3040	6650	7001DF/P5	2120	4660	7001DF/P5
15	3370	7600	7002DF/P5	2350	5320	7002DF/P5
20	8260	17900	7204DF/P5	5780	12490	7204DF/P5
25	9960	20200	7205DF/P5	-	-	-

Bearing Type	JIS 0 Class Angular Contact Bearing			Radial Bearing		
	BSWE/BSQ/BRWE			BSWZ/BRWZ		
	Type	Allowable Axial Load (N)	Basic Dynamic Load Rating (N)	Bearing Type	Allowable Axial Load (N)	Basic Dynamic Load Rating (N)
6	-	-	-	780	2190	606ZZ
8	-	-	-	1300	3350	608ZZ
10	2730	6100	7000DF/Standard Grade	2300	4550	6000ZZ
12	3040	6650	7001DF/Standard Grade	2600	5100	6001ZZ
15	3370	7600	7002DF/Standard Grade	2900	5600	6002ZZ
20	8260	17900	7204DF/Standard Grade	8100	12800	6204ZZ
25	9960	20200	7205DF/Standard Grade	-	-	-

Bearing's Accuracies

Outer Ring

Unit: μm

Nominal Bearing O.D.	Flat Surface Average O.D. Dim. Difference	Radial Run-out		Axial Play	
		Kea	Sea	Class 5	Class 0
D	ΔDmp	Class 5	Class 0	Class 5	Class 0
mm	mm	more than	or Less	more than	or Less
over	or Less	more than	or Less	more than	or Less
6	18	0	-5	0	-8
18	30	0	-6	0	-9
30	50	0	-7	0	-11
50	80	0	-9	0	-13

Inner Ring

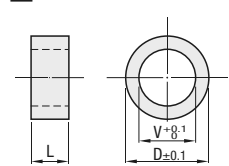
Unit: μm

Nominal Bearing I.D.	Flat Surface Average I.D. Dim. Difference	Radial Run-out		Axial Play	
		Kia	Sia	Class 5	Class 0
d	Δdmp	Class 5	Class 0	Class 5	Class 0
mm	mm	more than	or Less	more than	or Less
over	or Less	more than	or Less	more than	or Less
2.5	10	0	-5	0	-8
10	18	0	-5	0	-8
18	30	0	-6	0	-10

Both radial run-out and axial play stand for measurement method of bearing rotational accuracy.

Since Inner Ring Radial Run-out (Kia), Outer Ring Radial run-out (Kea), Inner Ring Axial Play (Sia), and Outer Ring Axial Play (Sea) are all different, contact us for more detail.

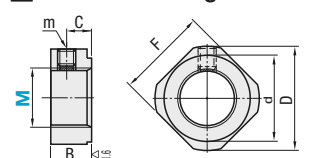
Included Collar Size



*For 8S and 10S, the I.D. of oil seal is smaller than the previous 8S and 10S versions. Use it in accordance with ball screw fixed side dimensions.

Existing Product	No	D	V	L
	6	9.5	6	5
8S	10	8	5.5	
8	11.5	8	5.5	
10S	12	10	5.5	
10	14	10	5.5	
12	15	12	5.5	
15S	20	15	10	
15	20	15	10	
20	25	20	11	
25	31	25	14	
C-VALUE	6	9.5	6	5
	8S	10	8	5.5
	8	11.5	8	5.5
	10S	12	10	5.5
	10	14.5	10	5.5
	12	15.5	12	5.5
C-BSW C-BRW	15S	19.5	15	10
	15	20	15	10
	20	25	20	11
	20	25	20	11
	10S	12	10	5
	10	14.5	10	5
C-BSFW	12	15.5	12	5
	15	19.5	15	6
	20	27.5	20	8

Included Bearing Nut Size

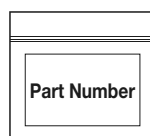


⚠ Tighten the set screw after inserting the Thread Protector.
 ⚠ For Thread Protector specification details, see P2-212
 ⚠ EN 1.1191 Equiv. Thermal Refined excels in durability.

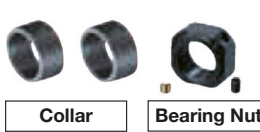
Existing Product	No	M	Fine Thread	B	m	d	D
	6	6	M6*0.75	5.5	M3	10	14.5
8	8	M8*1.0	6.5	M3	13	17	
10	10	M10*1.0	8	M4	16	20	
12	12	M12*1.0	8	M4	17	22	
15	15	M15*1.0	10	M4	21	25	
20	20	M20*1.0	13	M4	26	35	
25	25	M25*1.0	15	M5	33	43	
C-VALUE	6	6	M6*0.75	5	M3	10	14.5
	8	8	M8*1.0	6.5	M3	13	17
	10	10	M10*1.0	8	M3	15	20
	12	12	M12*1.0	8	M3	17	22
	15	15	M15*1.0	8	M3	21	25
	20	20	M20*1.0	11	M4	26	35

Cautions on Accessories

Accessory packaging



Accessory contents <fixed side>



⚠ When used together with a MISUMI ball screw, there is one accessory collar spare.

Accessory contents <support side>



Assembly of Support Units

Installing Support Units incorrectly would cause degradation of accuracies and service life expectancy. Considerable care must be taken during installation.

① Pre-Installing Preparation

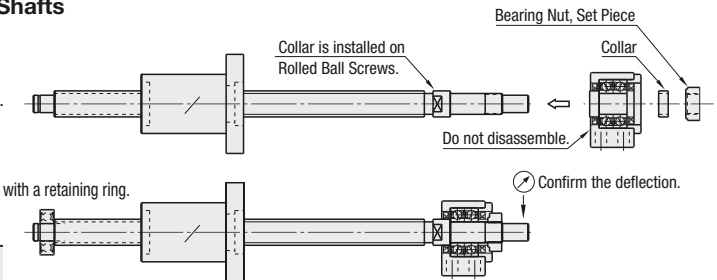
Find a sufficient work area that is as dust-free and moisture-free as possible. Make sure there is little variation in temperature. Choose a clean location and prepare necessary tools on a workbench.

② Inspection of Shafts and Support Units

Confirm that there is no dust, foreign substance or burr on the shaft and on bearing I.D. If burrs are recognized, remove them with a oilstone etc. and brush or wipe off chips thoroughly.

③ Installing Support Units to Ball Screw Shafts

- Prepare a Ball Screw and a Support Unit.
- Insert fixed side shaft end into the Support Unit.
- Cautions on Insertion
 - Insert the shaft straight not to interfere with the Support Unit.
 - Also, watch for curled back oil seal lip.
 - Apply some grease for smooth insertion.
- Temporarily tighten the bearing nut.
- Install a radial bearing on ball screw support side. Secure the bearing with a retaining ring.
- Maintain tip run-out to be as small as possible.

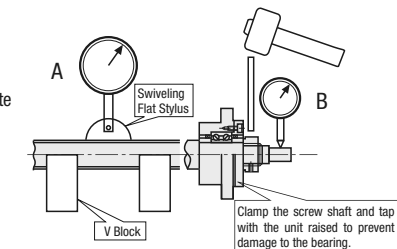


M	Nut Tightening Torque (N·cm)	M	Nut Tightening Torque (N·cm)
4	160	12	1370
5	200	15	2350
6	245	20	4700
8	490	25	8430
10	930		

⚠ Value is for reference only.

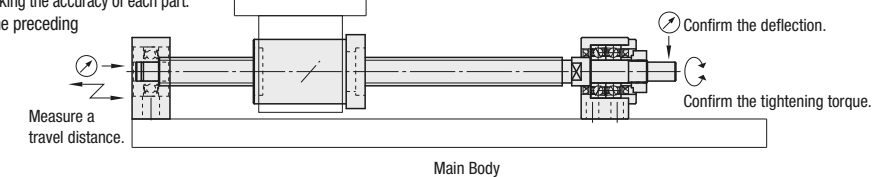
④ Precautions on Installation of Bearing Nut

1. Lightly tighten the bearing nut.
 - Tighten to 1/3 of the recommended torque (see table).
2. Place the screw shaft on a set of V-blocks, place a dial indicator at A or B as shown, and rotate the shaft while seeking for a position where the largest indicator deflection is observed.
3. Using a hammer or other appropriate tools as shown, lightly tap the bearing nut at the aforementioned angular position until the indicator reading becomes minimum.
4. Divide the recommended torque on the table into two to three steps while repeating the step ③ up to full recommended tightening torque.



⑤ Installation of Support Side Bearing Unit and Accuracy Check

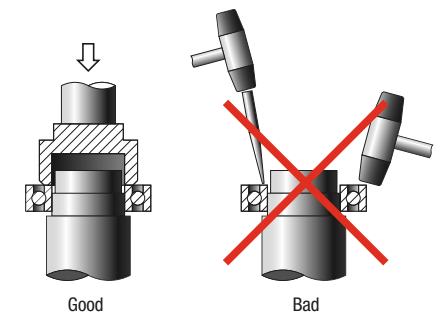
- Move the carriage toward the support side bearing unit and align.
- Reciprocate the carriage so that it travels smoothly throughout the whole stroke.
- Fully tighten the mounting screws while checking the accuracy of each part.
- If the outcome is not satisfactory, repeat the preceding steps until smooth motion is obtained.



Precautions on Support Unit Installation

When inserting ball screws into fixed side support units, some cases will be slip-fit and others may be light press-fit cases.

If the fit appears to be a light-press, do not force the bearing onto the screw shaft in a tilted manner, and do not strike the bearing inner ring as well as support unit housing. In case if there is any interference between the screw shaft and the bearing inner ring, gently press the bearing using a spacer corresponding with the inner ring by either a press or a jack. It is necessary to ease shock to the bearing as much as possible. Furthermore, do not bend the screw shaft. If there is any interference between the screw shaft and the bearing inner ring, do not insert the ball screw forcibly. Remove the screw at once and correct the swell on the shaft, then try reassembling.




* Store Accessories with care since they are required when assembling.

Support Units - Fixed Side, Square Standard

Support Units - Support Side, Square <Standard> Standard

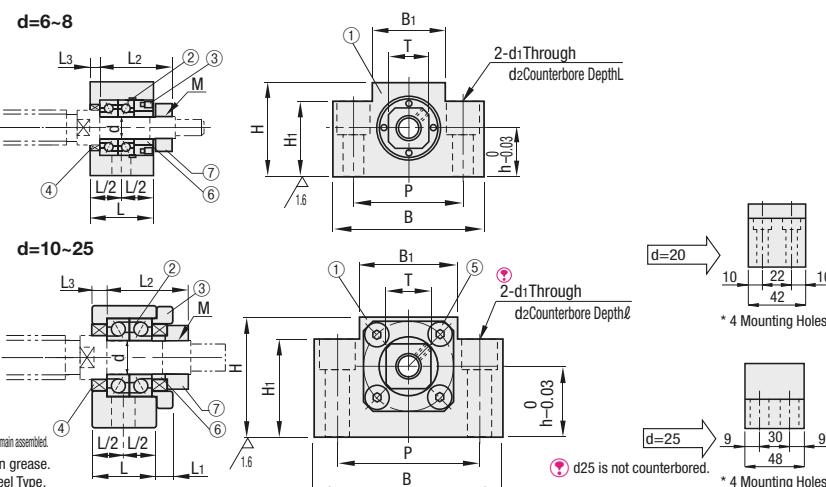
Points of comparison between similar products | Consider using these parts when the usage environment is high-load application and high operation frequency.

Industry Standard



RoHS

Type	Material	Surface Treatment
Fixed Side only	① ③	① ③ ⑥ ⑦
Fixed Side and Support Side SET	① ③ ⑥ ⑦	① ③ ⑥ ⑦
BSW	EN 1.1191 Equiv.	Black Oxide
BSWN	EN 1.0038 Equiv.	Electroless Nickel Plating
BSWR		LTBC Plating



d=6-8

d=10-25

2-d₁ Through
d₂ Counterbore Depth ℓ

h=0.03

* 4 Mounting Holes

d₂₅ is not counterbored.

Component Details

Number	Part Name	Quantity
①	Bearing Housing	1
②	Japanese standard angular contact bearing Grade 5	1 Set
③	Cover	1
④	Oil Seal	2
⑤	Hex Socket Head Cap Screw*	4
⑥	Collar	2
⑦	Bearing Nut (with Set Piece)	1

Oil Seal ④ is not included in d=6.
 d=8 comes with one Oil Seal ④.
 Do not disassemble the fixed side main body (①, ②, ③ and ④), as they must remain assembled.
 BSWR bearing is filled with low dust generation grease.
 *Screws ⑤ for BSWR and BSWN are Stainless Steel Type.
 For No.8S and 10S, the I.D. of oil seal is smaller than the previous No.8S and No.10S versions.
 When used together with a MISUMI ball screw, there is one support unit accessory collar spare.

Part Number	Support Side SET	d	L	L ₁	L ₂	L ₃	B	H	h	B ₁	H ₁	P	d ₁	d ₂	ℓ	M (Fine)	T	Oil Seal Applicable Shaft Dia.
6		6	20	-	22.5	3.5	42	25	13	18	20	30	5.5	9.5		M6x0.75	12	-
8S		8	23	-	26	4	52	32	17	25	26	38	6.6	11		M8x1.0	14	10
8		8																11.5
1022		10						40	22		32							14
10S		10						43	25	36	35	52	9	14		M10x1.0	17	12
10		10	24	6	29.5	6	70											14
1223		12						41	23		33							
12		12						43	25		35							15
1526		15						46	26		36							
1528		15	25	6	38	5	80	48	28	41	38	60	11	17	15	M15x1.0	22	20
15		15						50			40							
20		20	42	10	52	10	95	58		*30	56	45	75					25
25		25	48	13	59	14	105	68	35	66	25	85	11	-	-	M25x1.5	35	31

Take care in combining No.20 with Ball Screw BSSZ(K)2510, BSSR(K)2510 or BSST2510. The ball screw nut may come in contact with the bottom surfaces.

Ordering Example

Part Number: **BSW15** (Fixed-side single type)

Part Number: **BSW15-SET** (SET part type)

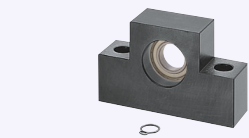
Part Number	BSW	BSW-SET	BSWN	BSWN-SET	BSWR	BSWR-SET
Type	Unit Price	Unit Price	Unit Price	Unit Price	Unit Price	Unit Price
	1 ~ 10 pc(s).	1 ~ 10 pc(s).	1 ~ 10 pc(s).	1 ~ 10 pc(s).	1 ~ 10 pc(s).	1 ~ 10 pc(s).
6						
8S						
8						
1022						
10S						
10						
1223						
12						
1526						
1528						
15						
20						
25						

For details of Bearings in addition to mounting interface accuracies of Support Units, Included Collar and Bearing Nut, see P.759

Ball Screw Compatibility Chart P.756

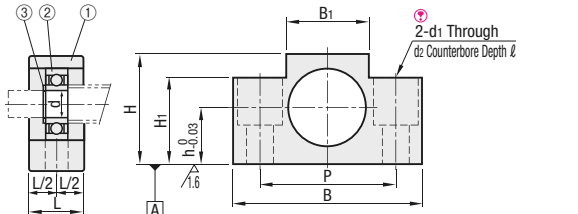
Store Accessories with care since they are required when assembling.

Industry Standard



RoHS

Type	Material	Surface Treatment
Standard	EN 1.1191 Equiv.	Black Oxide
BUN		Electroless Nickel Plating
BUNM		LTBC Plating
BUNR		



2-d₁ Through
d₂ Counterbore Depth ℓ

h=0.03

* 4 Mounting Holes

Component Details

Number	Part Name	Quantity
①	Housing	1
②	Japanese made radial bearing	1
③	Retaining Ring (STWN, S)	1

BUNR bearing is Stainless Steel Type filled with low dust generation grease.
 * Retaining rings ③ of BUNR and BUNM are Stainless Steel Type.

Part Number	d	L	B	H	h	B ₁	H ₁	P	V	d ₁	d ₂	ℓ	Bearing Type	Retaining Ring	BUN Unit Price	BUNM Unit Price	BUNR Unit Price
6	6	12	42	25	13	18	20	30	17	5.5	9.5	11	B606ZZ	STWN, S6	1 ~ 10 pc(s).	1 ~ 10 pc(s).	1 ~ 10 pc(s).
8	8	15	52	32	17	25	26	38	22	6.6	11		B608ZZ	STWN, S8			
1022	10			40	22		21		22				B6000ZZ	STWN, S10			
10	10		70	43	25	36	24	52	26	9							
1223	12			41	23		22										
12	12			43	25		24										
1526	15		80	46	26		21						B6002ZZ	STWN, S15			
1528	15			48	28	41	23	60	32								
15	15			50			25			11							
20	20	26	95	58	*30	56	30	75	47				B6204ZZ	STWN, S20			
25	25	30	105	68	35	66	25	85	52				B6205ZZ	STWN, S25			

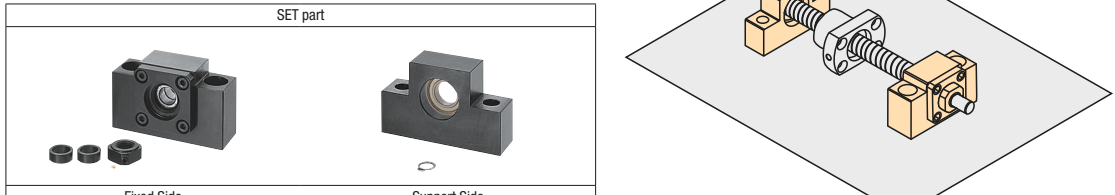
Take care in combining No.20 with Ball Screw BSSZ(K)2510, BSSR(K)2510 or BSST2510. The ball screw nut may come in contact with the bottom surfaces.

Ordering Example

Part Number: **BUN15** (Support side, separate item)

SET part overview

For customers using in conjunction with fixed side and support side. We recommend a SET, which allows the fixed side and support side to be ordered as one set. 5% price reduction when ordering in SETs.



<SET parts>			Black Oxide			Electroless Nickel Plating			LTBC Plating		
SET Part Number	Fixed Side Part Number	Support Side Part Number	SET Part Number	Fixed Side Part Number	Support Side Part Number	SET Part Number	Fixed Side Part Number	Support Side Part Number	SET Part Number	Fixed Side Part Number	Support Side Part Number
BSW6-SET	BSW6	BUN6	BSWN6-SET	BSWN6	BUNM6	BSWR6-SET	BSWR6	BUNR6			
BSW8S-SET	BSW8S	BUN8	BSWN8S-SET	BSWN8S	BUNM8	BSWR8S-SET	BSWR8S	BUNR8			
BSW8-SET	BSW8	BUN8	BSWN8-SET	BSWN8	BUNM8	BSWR8-SET	BSWR8	BUNR8			
BSW1022-SET	BSW1022	BUN1022	BSWN1022-SET	BSWN1022	BUNM1022	BSWR1022-SET	BSWR1022	BUNR1022			
BSW10S-SET	BSW10S	BUN10	BSWN10S-SET	BSWN10S	BUNM10	BSWR10S-SET	BSWR10S	BUNR10			
BSW10-SET	BSW10	BUN10	BSWN10-SET	BSWN10	BUNM10	BSWR10-SET	BSWR10	BUNR10			
BSW1223-SET	BSW1223	BUN1223	BSWN1223-SET	BSWN1223	BUNM1223	BSWR1223-SET	BSWR1223	BUNR1223			
BSW12-SET	BSW12	BUN12	BSWN12-SET	BSWN12	BUNM12	BSWR12-SET	BSWR12	BUNR12			
BSW1526-SET	BSW1526	BUN1526	BSWN1526-SET	BSWN1526	BUNM1526	BSWR1526-SET	BSWR1526	BUNR1526			
BSW1528-SET	BSW1528	BUN1528	BSWN1528-SET	BSWN1528	BUNM1528	BSWR1528-SET	BSWR1528	BUNR1528			
BSW15-SET	BSW15	BUN15	BSWN15-SET	BSWN15	BUNM15	BSWR15-SET	BSWR15	BUNR15			
BSW20-SET	BSW20	BUN20	BSWN20-SET	BSWN20	BUNM20	BSWR20-SET	BSWR20	BUNR20			
BSW25-SET	BSW25	BUN25	BSWN25-SET	BSWN25	BUNM25	BSWR25-SET	BSWR25	BUNR25			

Support Units - Fixed Side, Square Standard

Similar parts listed page P.761

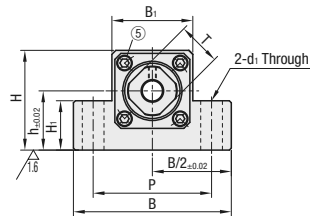
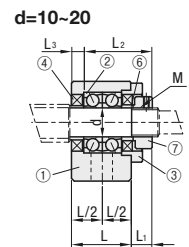
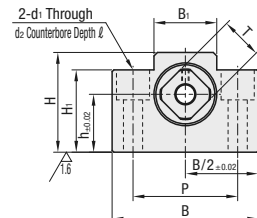
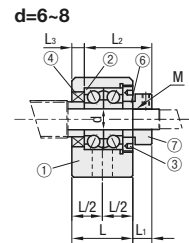
Points of comparison between similar products

C-VALUE parts' load rating are different from similar parts. (For details, see P.754)
When considering C-VALUE parts, choose by comparing the specifications against similar parts. P.759



Number	Part Name	Quantity
①	Bearing Housing	1
②	Oversea manufactured angular contact bearing Grade 5	1 Set
③	Cover	1
④	Oil Seal	2
⑤	Hex Socket Head Cap Screw	4
⑥	Collar	2
⑦	Bearing Nut (with Set Piece)	1

Type	Material	Surface Treatment
Fixed Side only	① ③	① ③ ⑥ ⑦
Fixed Side and Support Side SET	① ③ ⑥ ⑦	① ③ ⑥ ⑦
C-BSW	EN 1.1191 Equiv.	EN 1.0038 Equiv. Black Oxide

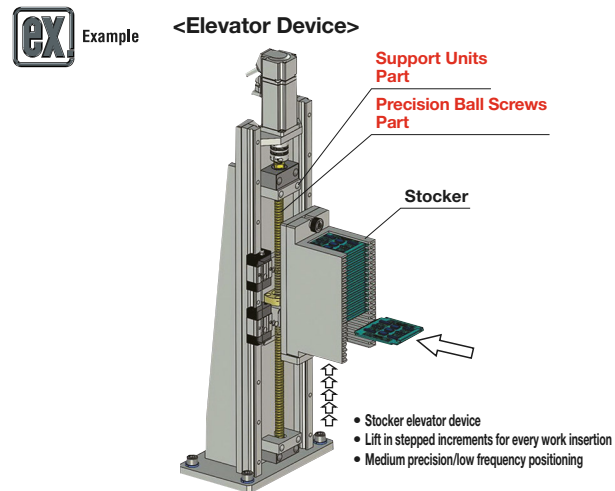


- ① d=6 and 8 come with one Oil Seal ④.
- ② Do not disassemble ①, ②, ③, ④ and ⑤, as they must remain assembled.
- ③ When used together with a MISUMI ball screw, there is one support unit accessory collar spare.

Part Number	Support Side SET	d	L	L1	L2	L3	B	H	h	B1	H1	P	d1	d2	l	M (Fine Thread)	T	Oil Seal Applicable Shaft Dia.	C-BSW	C-BSW-SET	
																			Unit Price	Unit Price	
C-BSW	6	6	20	5.5	22	3.5	42	25	13	18	20	30	5.5	9.5	11	M6x0.75	12	9.5			
	8S	8	23	7	26	4	52	32	17	25	26	38	6.6	11	11	M8x1.0	14	10			
	8																	11.5			
	10S	10	24		29.5	6	70	43	25	36	24	52	9			M10x1.0	16	12			
	10																	14			
	12																M12x1.0	19	15		
	15S	15	25		36	5	80	49	30	41	25	60	11			M15x1.0	22	19.5			
	15																	20			
20																M20x1.0	30	25			

Ordering Example
Part Number
C-BSW15 (Fixed-side single type)
C-BSW15-SET (SET part type)

- For details of Bearings in addition to mounting interface accuracies of Support Units, Included Collar and Bearing Nut, see P.759
- Ball Screw Compatibility Chart P.756
- Store Accessories with care since they are required when assembling.



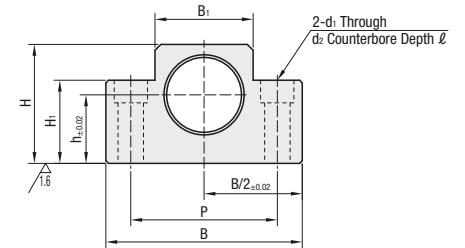
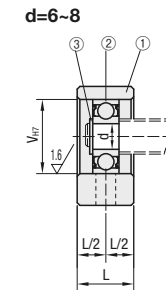
- Stocker elevator device
- Lift in stepped increments for every work insertion
- Medium precision/low frequency positioning

Support Units - Support Side, Square Standard

Similar parts listed page P.762

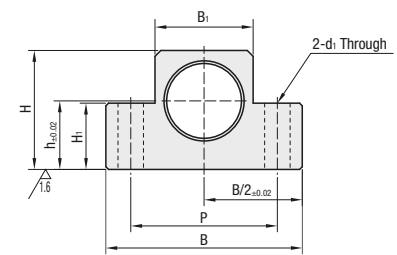
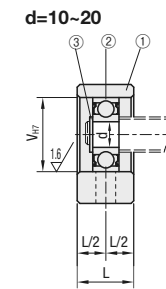


Type	Material	Surface Treatment
C-BUN	EN 1.1191 Equiv.	Black Oxide



Component Details

Number	Part Name	Quantity
①	Housing	1
②	Oversea manufactured radial bearing	1
③	Retaining Ring (STWN, S)	1

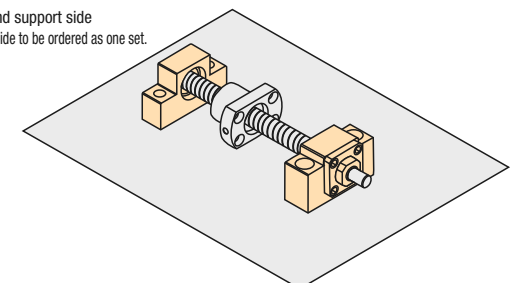
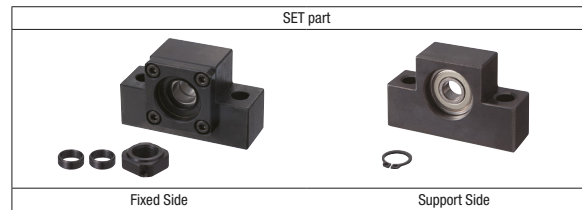


Part Number	Support Side SET	d	L	B	H	h	B1	H1	P	V	d1	d2	l	Bearing	Retaining Ring	C-BUN	
																Unit Price	
C-BUN	6	6	12	42	25	13	18	20	30	17	5.5	9.5	11	B606ZZ	STWN, S6		
	8										6.6	11	11				
	10	8	14	52	32	17	25	26	38	22				B608ZZ	STWN, S8		
	12										9				B6000ZZ	STWN, S10	
	15	10	20	70	43	25	36	24	52	26				B6002ZZ	STWN, S15		
	20										11				B6204ZZ	STWN, S20	

Ordering Example
Part Number
C-BUN15 (Support side, separate item)

SET part overview

For customers using in conjunction with fixed side and support side
 We recommend a SET, which allows the fixed side and support side to be ordered as one set.
 5% price reduction when ordering in SETs



<SET parts>

SET Part Number	SET parts	
	Fixed Side Part Number	Support Side Part Number
C-BSW6-SET	C-BSW6	C-BUN6
C-BSW8S-SET	C-BSW8S	C-BUN8
C-BSW8-SET	C-BSW8	C-BUN8
C-BSW10S-SET	C-BSW10S	C-BUN10
C-BSW10-SET	C-BSW10	C-BUN10
C-BSW12-SET	C-BSW12	C-BUN12
C-BSW15S-SET	C-BSW15S	C-BUN15
C-BSW15-SET	C-BSW15	C-BUN15
C-BSW20-SET	C-BSW20	C-BUN20

Support Units - Fixed Side, Square

Standard Narrow Pitch Type

Similar parts listed page P.761

Points of comparison between similar products

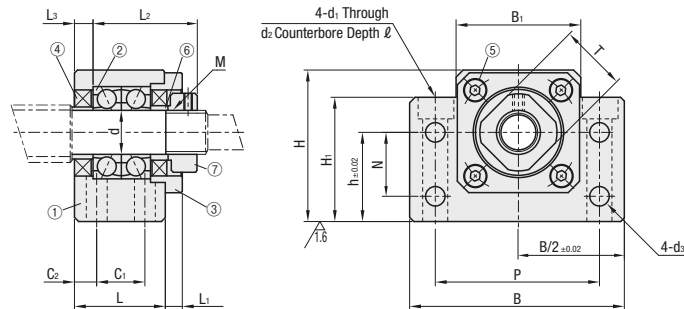
C-VALUE parts' load rating are different from similar parts. (For details, see P.754)
When considering C-VALUE parts, choose by comparing the specifications against similar parts. P.759



Type	Material	Surface Treatment
Fixed Side only	① ③	① ③ ⑥ ⑦
Fixed Side and Support Side SET	① ③ ⑥ ⑦	① ③ ⑥ ⑦
C-BSFW	EN 1.1191 Equiv.	EN 1.0038 Equiv. Black Oxide

Number	Part Name	Quantity
①	Bearing Housing	1
②	Oversea manufactured angular contact bearing Grade 5	1 Set
③	Cover	1
④	Oil Seal	2
⑤	Hex Socket Head Cap Screw	4
⑥	Collar	2
⑦	Bearing Nut (with Set Piece)	1

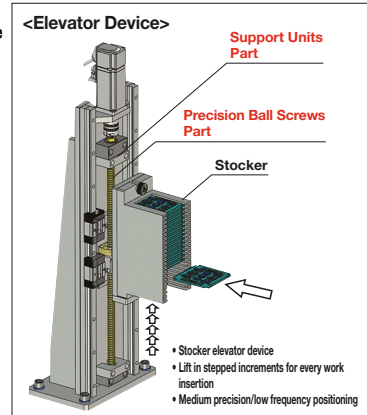
- ④ d=6 and 8 come with one Oil Seal ④.
- Do not disassemble ①, ②, ③, ④ and ⑤, as they must remain assembled.
- When used together with a MISUMI ball screw, there is one support unit accessory collar spare.



Part Number	Support Side SET	d	L	L1	L2	L3	B	H	h	B1	H1	P	N	C1	C2	d1	d2	d3	l	M (Fine Thread)	T	Oil Seal Applicable Shaft Dia.	C-BSFW Unit Price	C-BSFW-SET Unit Price		
C-BSFW	10S	-SET	10	25	5	29	5	60	39	22	34	32.5	46	15	13	6	6.6	11	5.5	5	M10x1.0	16	12			
	10																									14
	12																									15
	15																									20
20		20	35	8	43	8	88	60	34	52	50	70	22	19	8	9	14	6.6	8.5	M20x1.0	30	27.5				

Ordering Example
Part Number
C-BSFW15 (Fixed-side single type)
C-BSFW15-SET (SET part type)

- For details of Bearings mounting interface accuracies of Support Units, see P.759
- Ball Screw Compatibility Chart P.756
- Store Accessories with care since they are required when assembling.
- No.15 and No.20 are not used with MISUMI ball screws. See P.758 "Ball Screw/Support Unit Mapping Table" for third-party ball screws. Look at the ball screw shaft diameters $\varnothing 20$, $\varnothing 28$, $\varnothing 30$, and $\varnothing 32$.



Support Units - Support Side, Square

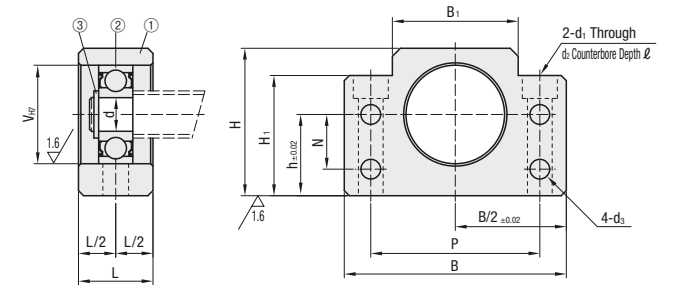
Standard Narrow Pitch Type

Similar parts listed page P.762



Type	Material	Surface Treatment
C-BUFN	EN 1.1191 Equiv.	Black Oxide

Number	Part Name	Quantity
①	Housing	1
②	Oversea manufactured radial bearing	1
③	Retaining Ring (STWN, S)	1

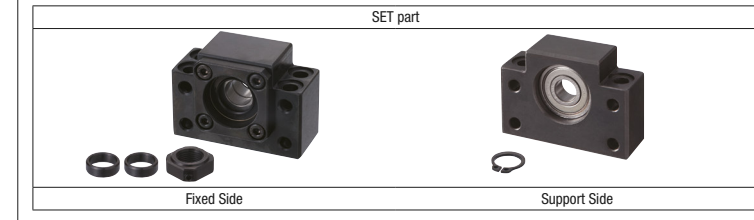


Part Number	d	L	B	H	h	B1	H1	P	N	V	d1	d2	d3	l	Bearing Part Number	Retaining Ring	C-BUFN Unit Price										
C-BUFN	10	8	60	39	22	34	32.5	46	15	22	6.6	11	5.5	5	B608ZZ	STWN, S8											
	12	10																20	43	25	35	26	1.5	B6000ZZ	STWN, S10		
	15	15																70	48	28	40	38	54	32	6.5	B6002ZZ	STWN, S15
	20	20																26	88	60	34	52	50	70	28	42	9

Ordering Example
Part Number
C-BUFN15 (Support side, separate item)

- For details of Bearings mounting interface accuracies of Support Units, see P.759
- Ball Screw Compatibility Chart P.756
- Store Accessories with care since they are required when assembling.
- No.15 and No.20 are not used with MISUMI ball screws. See P.758 "Ball Screw/Support Unit Mapping Table" for third-party ball screws. Look at the ball screw shaft diameters $\varnothing 20$, $\varnothing 28$, $\varnothing 30$, and $\varnothing 32$.

SET part overview
For customers using in conjunction with fixed side and support side We recommend a SET, which allows the fixed side and support side to be ordered as one set. 5% price reduction when ordering in SETS



<SET parts>

SET Part Number	SET parts	
	Fixed Side Part Number	Support Side Part Number
C-BSFW10-SET	C-BSFW10	C-BUFN10
C-BSFW10S-SET	C-BSFW10S	C-BUFN10
C-BSFW12-SET	C-BSFW12	C-BUFN12
C-BSFW15-SET	C-BSFW15	C-BUFN15
C-BSFW20-SET	C-BSFW20	C-BUFN20

Support Units - Fixed Side, Round Standard

Points of comparison between similar products | Consider using this product if the usage environment is a high-load, and high-frequency drive application.

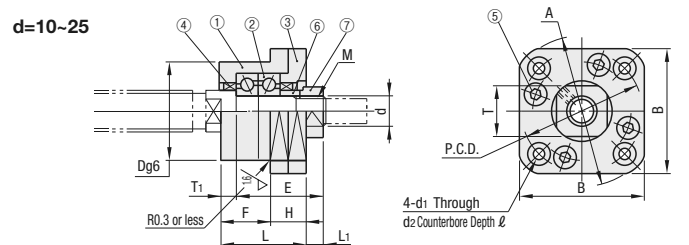
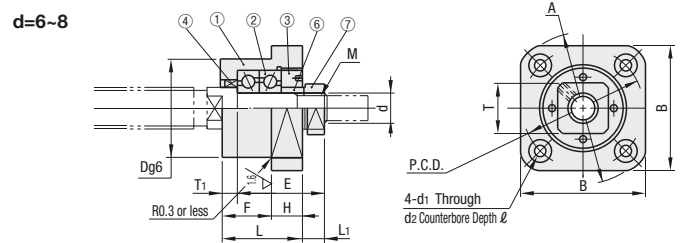


Type	Material	Surface Treatment
Fixed Side only	① ③	⑥ ⑦
Fixed Side and Support Side SET	① ③ ⑥ ⑦	① ③ ⑥ ⑦
BRW	EN 1.1191 Equiv.	Black Oxide
BRWN	EN 1.0038 Equiv.	Electroless Nickel Plating
BRWR		LTBC Plating

For No.8S and 10S, the I.D. of oil seal is smaller than the previous No.8S and No.10S versions.

Number	Part Name	Quantity
①	Bearing Housing	1
②	Japanese standard angular contact bearing Grade 5	1 Set
③	Cover	1
④	Oil Seal	2
⑤	Hex Socket Head Cap Screw*	4
⑥	Collar	2
⑦	Bearing Nut (with Set Piece)	1

- No oil seal ④ is attached in No. 6.
- One oil seal ④ is attached in No. 6L/8S/8.
- Do not disassemble ①, ②, ③, ④ and ⑤, as they must remain assembled.
- BSWR bearing is filled with low dust generation grease.
- Screws ⑤ for BRWR/BRWN are of Stainless Steel Type.
- When used together with a MISUMI ball screw, there is one support unit accessory collar spare.



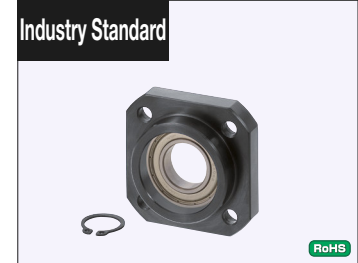
Part Number	Type	No.	Support Side SET	d	L	H	F	E	D	A	P.C.D.	B	L ₁	T ₁	d ₁	d ₂	ℓ	M (Fine Thread)	T	Oil Seal Applicable Shaft Dia.			
BRW BRWN BRWR	-SET (Only when purchasing in Sets)	6L		6	20	7	13	22.5	22	36	28	28	6	3.5	3.4	6.5	4	M6x0.75	12	10			
		6																					
		8S		8	23	9	14	26	28	43	35	35	7	4	3.4	6.5	4	M8x1.0	14	10			
		8																				11.5	
		10S		10	29	13	16	29.5	34	52	42	42	5.5	5	4.5	8	6	M10x1.0	17	12			
		10																					14
		12		12																			15
15	15	32	15	17	38	40	63	50	52	12	6	5.5	9.5	6	M15x1.0	22	20						
20	20	52	22	30	52	57	85	70	68	10	10	6.6	11	10	M20x1.0	30	25						
25	25	57	27	30	59	63	98	80	79	12	10	9	15	13	M25x1.5	35	31						

Ordering Example: BRW15 (Fixed-side single type)

Part Number	Type	No.	BRW Unit Price	BRW-SET Unit Price	BRWN Unit Price	BRWN-SET Unit Price	BRWR Unit Price	BRWR-SET Unit Price
BRW BRWN BRWR	-SET	6L	1 ~ 10 pc(s).	1 ~ 10 pc(s).	1 ~ 10 pc(s).	1 ~ 10 pc(s).	1 ~ 10 pc(s).	1 ~ 10 pc(s).
		6						
		8S						
		8						
		10S						
		10						
		12						
15								
20								
25								

- For details of Bearings mounting interface accuracies of Support Units, see Details of Bearing Nut P759
- LTBC Plating products are filled with low dust generation grease for cleanrooms.
- Store Accessories with care since they are required when assembling.

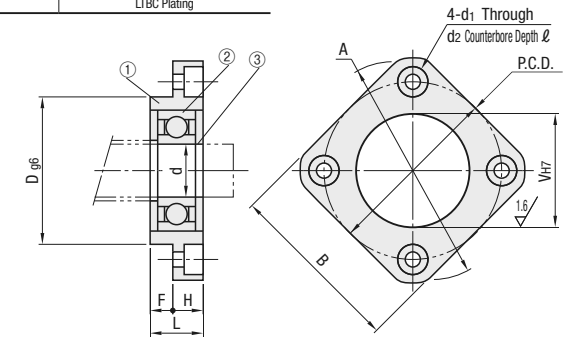
Support Units - Support Side, Round <Standard> Standard



Type Standard	Material	Surface Treatment
BUR	EN 1.1191 Equiv.	Black Oxide
BURM		Electroless Nickel Plating
BURR		LTBC Plating

Number	Part Name	Quantity
①	Housing	1
②	Japanese made radial bearing	1
③	Retaining Ring (STWN, S)	1

BURR bearing is Stainless Steel Type filled with low dust generation grease. Retaining rings ③ and ④ of BURR, BURM and BTRM are Stainless Steel Type.



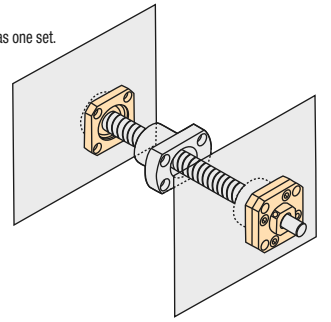
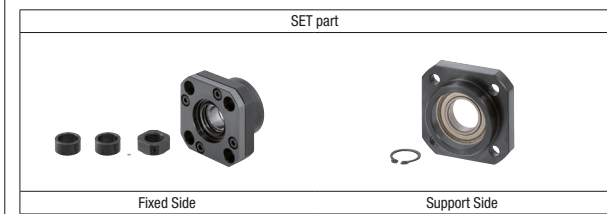
Part Number	Type	No.	d	L	H	F	D	A	P.C.D.	B	V	d ₁	d ₂	ℓ	Bearing Type	Retaining Ring	BUR Unit Price	BURM Unit Price	BURR Unit Price
BUR BURM BURR		6	6	10	6	4	22	36	28	28	17	3.4	6.5	4	B606ZZ	STWN, S6	1 ~ 10 pc(s).	1 ~ 10 pc(s).	1 ~ 10 pc(s).
		10	8	12	7	5	28	43	35	35	22	3.4	6.5	4	B608ZZ	STWN, S8			
		12	10	15	7	8	34	52	42	42	26	4.5	8		B6000ZZ	STWN, S10			
		15	15	17	9	8	40	63	50	52	32	5.5	9.5	5.5	B6002ZZ	STWN, S15			
		20	20	20	11	9	57	85	70	68	47	6.6	11	6.5	B6204ZZ	STWN, S20			
25	25	24	14	10	63	98	80	79	52	9	14	8.5	B6205ZZ	STWN, S25					

Ordering Example: BUN15 (Support side, separate item)

- For details of Bearings mounting interface accuracies of Support Units, see Details of Bearing Nut P759
- LTBC Plating products are filled with low dust generation grease for cleanrooms.
- Store Accessories with care since they are required when assembling.

SET part overview

For customers using in conjunction with fixed side and support side We recommend a SET, which allows the fixed side and support side to be ordered as one set. 5% price reduction when ordering in SETs



<SET parts>

Black Oxide			Electroless Nickel Plating			LTBC Plating		
SET Part Number	SET parts		SET Part Number	SET parts		SET Part Number	SET parts	
	Fixed Side Part Number	Support Side Part Number		Fixed Side Part Number	Support Side Part Number		Fixed Side Part Number	Support Side Part Number
BRW6L-SET	BRW6L	BUR6	BRWN6L-SET	BRWN6L	BURM6	BRWR6L-SET	BRWR6L	BURR6
BRW6-SET	BRW6	BUR6	BRWN6-SET	BRWN6	BURM6	BRWR6-SET	BRWR6	BURR6
BRW8S-SET	BRW8S	BUR6	BRWN8S-SET	BRWN8S	BURM6	BRWR8S-SET	BRWR8S	BURR6
BRW8-SET	BRW8	BUR6	BRWN8-SET	BRWN8	BURM6	BRWR8-SET	BRWR8	BURR6
BRW10S-SET	BRW10S	BUR10	BRWN10S-SET	BRWN10S	BURM10	BRWR10S-SET	BRWR10S	BURR10
BRW10-SET	BRW10	BUR10	BRWN10-SET	BRWN10	BURM10	BRWR10-SET	BRWR10	BURR10
BRW12-SET	BRW12	BUR12	BRWN12-SET	BRWN12	BURM12	BRWR12-SET	BRWR12	BURR12
BRW15-SET	BRW15	BUR15	BRWN15-SET	BRWN15	BURM15	BRWR15-SET	BRWR15	BURR15
BRW20-SET	BRW20	BUR20	BRWN20-SET	BRWN20	BURM20	BRWR20-SET	BRWR20	BURR20
BRW25-SET	BRW25	BUR25	BRWN25-SET	BRWN25	BURM25	BRWR25-SET	BRWR25	BURR25

Support Units - Fixed Side, Round Standard

Similar parts listed page [P.767](#)

Points of comparison between similar products | **C-VALUE parts' load rating are different from similar parts. (For details, see P.754)**
 When considering C-VALUE parts, choose by comparing the specifications against similar parts. [P.759](#)

The Standard Type uses Preload Adjusted JIS 5 Class Angular Contact Bearing. It is suitable for high-accuracy and high-speed precision applications.

RoHS

Type	Material	Surface Treatment
Fixed Side only	①③ ⑥⑦	①③⑥⑦
C-BRW C-BRW-SET	EN 1.1191 Equiv. EN 1.0028 Equiv.	Black Oxide

Component Details

Number	Part Name	Quantity
①	Bearing Housing	1
②	Overseas manufactured angular contact bearing Grade 5	1 Set
③	Cover	1
④	Oil Seal	2
⑤	Hex Socket Head Cap Screw	4
⑥	Collar	2
⑦	Bearing Nut (with Set Piece)	1

④=d=6 and 8 come with one Oil Seal ④.
 Do not disassemble ①, ②, ③, ④ and ⑤, as they must remain assembled.
 When used together with a MISUMI ball screw, there is one support unit accessory collar spare.

Part Number Type	No.	Support Side SET	d	L	H	F	E	D	A	P.C.D	B	L ₁	T ₁	d ₁	d ₂	I	M (Fine Thread)	T	Oil Seal Applicable Shaft Dia.	C-BRW	C-BRW-SET	
																				Unit Price	Unit Price	
C-BRW	6	-SET (Only when purchased in Sets)	6	20	7	13	22	22	35	28	28	5.5	3.5	2.9	5.5	3.5	M6x0.75	12	9.5			
	8S		8	23	9	14	26	28	43	35	35	7	4	3.4	6.5	4	M8x1.0	14	10			
	8																		11.5			
	10S		10	27	10		29.5	34	52	42	42	7.5	5	4.5	8	4	M10x1.0	16	12			
	10		12		17		36	54	44	44							M12x1.0	19	14			
	12																		19.5			
	15S		15	32	15		36	40	63	50	52	10	6	5.5	9.5	6	M15x1.0	22	20			
15																	20					
20	20	52	22	30	50	57	85	70	68	8	10	6.6	11	10	M20x1.0	30	25					

Ordering Example Part Number
C-BRW15 (Fixed-side single type)
C-BRW15-SET (SET part type)

For details of Bearings in addition to mounting interface accuracies of Support Units, Included Collar and Bearing Nut, see [P.759](#)
 Ball Screw Compatibility Chart [P.756](#)
 Store Accessories with care since they are required when assembling.

Support Units - Support Side, Round Standard

Similar parts listed page [P.768](#)

Type	Material	Surface Treatment
C-BUR	EN 1.1191 Equiv.	Black Oxide

Component Details

Number	Part Name	Quantity
①	Housing	1
②	Overseas manufactured radial bearing	1
③	Retaining Ring (STWN, S)	1

Part Number Type	No.	d	L	H	F	D	A	P.C.D	B	V	d ₁	d ₂	I	Bearing Part Number	Retaining Ring	C-BUR
																Unit Price
C-BUR	6	6	10	6	4	22	36	28	28	17	3.4	6.5		B606ZZ	STWN, S6	
	10	8	12	7	5	28	43	35	35	22				B608ZZ	STWN, S8	
	12	10	15		8	34	52	42	42	26	4.5	8		B600ZZ	STWN, S10	
	15	15	17	9		40	63	50	52	32	5.5	9.5	5.5	B600ZZ	STWN, S15	
	20	20	20	11	9	57	85	70	68	47	6.6	11	6.5	B620ZZ	STWN, S20	

Ordering Example Part Number
C-BUR15 (Support Side separate item model number)

SET part overview For customers using in conjunction with fixed side and support side We recommend a SET, which allows the fixed side and support side to be ordered as one set. 5% price reduction when ordering in SETs

Fixed Side

Support Side

<SET parts>

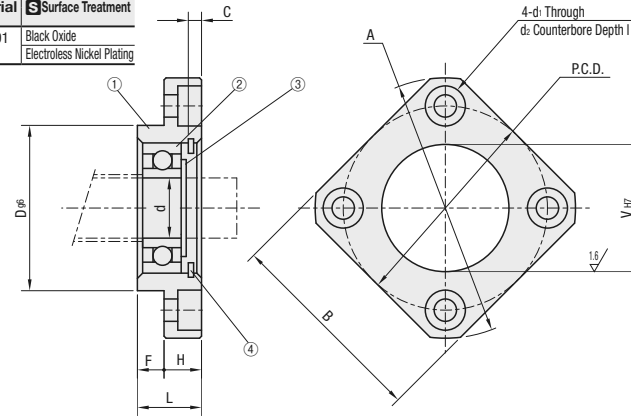
SET Part Number	SET parts	
	Fixed Side Part Number	Support Side Part Number
C-BRW6-SET	C-BRW6	C-BUR6
C-BRW8S-SET	C-BRW8S	C-BUR6
C-BRW8-SET	C-BRW8	C-BUR6
C-BRW10S-SET	C-BRW10S	C-BUR10
C-BRW10-SET	C-BRW10	C-BUR10
C-BRW12-SET	C-BRW12	C-BUR12
C-BRW15-SET	C-BRW15	C-BUR15
C-BRW15S-SET	C-BRW15S	C-BUR15
C-BRW20-SET	C-BRW20	C-BUR20

Support Units - Support Side, Round <Convenient>

Type with Retaining Ring

Support Side Standard (with Retaining Ring)

Type with Retaining Ring	Material	Surface Treatment
BTR	EN 1.1191 Equiv.	Black Oxide
BTRM	EN 1.1191 Equiv.	Electroless Nickel Plating



Number	Part Name	Quantity
①	Housing	1
②	Japanese made radial bearing	1
③	Retaining Ring (STWN, S)	1
④	Retaining Ring (RTWN, S)	1

Ⓜ BURR bearing is Stainless Steel Type filled with low dust generation grease.
 * ③ and ④ Retaining Ring for BURR/BURMBTRM are of Stainless Steel Type.

Part Number Type	No.	d	L	H	F	D	A	P.C.D.	B	V	d1	d2	l	Retaining Ring			Bearing Type	Retaining Ring
														C	Retaining Ring	Retaining Ring		
BTR BTRM	6	6	10	6	4	22	36	28	28	17	3.4	6.5	4	3	RTWN, S17	B606ZZ	STWN, S6	
	10	8	12	7	5	28	43	35	35	22	3.4	6.5	4	3	RTWN, S22	B608ZZ	STWN, S8	
	12	10	15	7	8	34	52	42	42	26	4.5	8	4	3	RTWN, S26	B6000ZZ	STWN, S10	
	15	15	17	9	8	40	63	50	52	32	5.5	9.5	5.5	4	RTWN, S32	B6002ZZ	STWN, S15	
	20	20	20	11	9	57	85	70	68	47	6.6	11	6.5	4.5	RTWN, S47	B6204ZZ	STWN, S20	

Part Number Type	No.	Unit Price	
		BTR 1 ~ 10 pc (s).	BTRM 1 ~ 10 pc (s).
BTR BTRM	6		
	10		
	12		
	15		
	20		

Ordering Example
 Part Number
BUR15

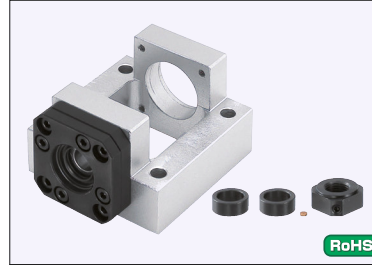
Example

 With Type with Retaining Ring, the bearing does not fall off from the Support Unit.

- Details of Bearings in addition to mounting interface accuracies of Support Units, Included Collar and Bearing Nut **P.759**
- LTBC Plating products are filled with low dust generation grease for cleanrooms.
- Store Accessories with care since they are required when assembling.

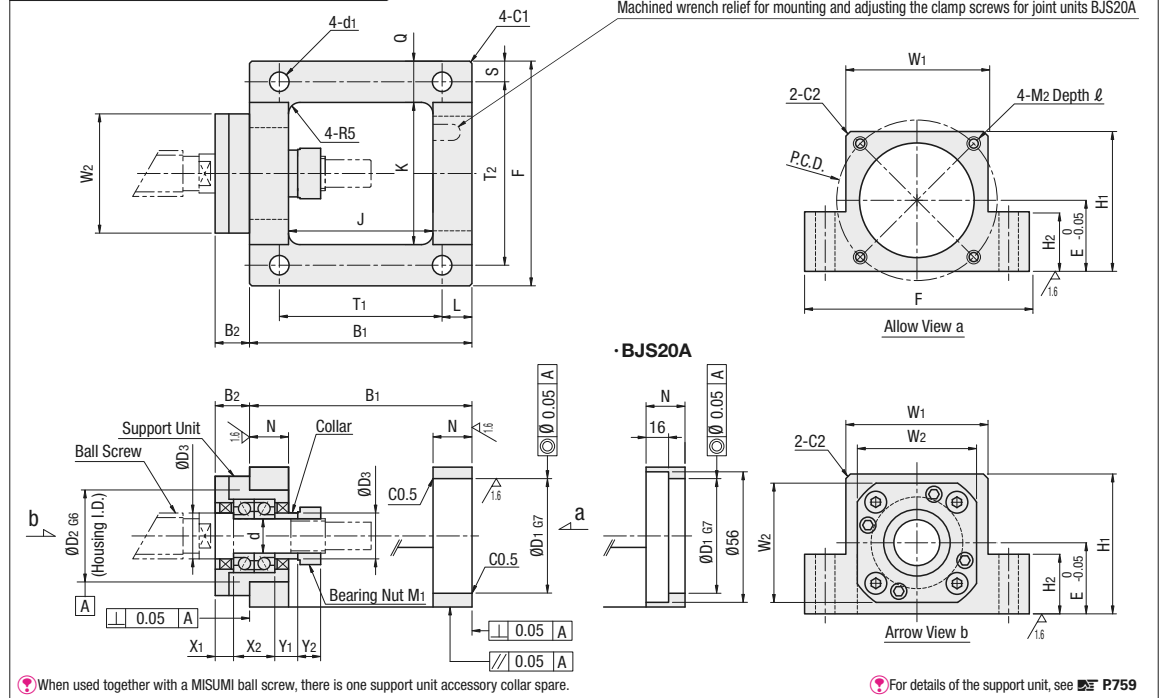
Support Units - Fixed Side, Square <Convenient>

Integrated AC Servo Motor Bracket



Type	Material		Surface Treatment		Accessory	Applicable Motor
	Main Body	Support Units	Main Body	Support Units		
BJS	EN AW-5052 Equiv.	EN 1.1191 Equiv.	Clear Anodize	Black Oxide	Collar 2 pcs. Bearing Nut 1 pc. (with Set Piece)	AC Servo Motor
BJSM	EN AW-5052 Equiv.	EN 1.1191 Equiv.	Clear Anodize	Electroless Nickel Plating		

Features
 - Simplification of Assembly: With a support bearing unit already pre-installed mounting and aligning a motor becomes simple with a build-in pilot.
 - Accurate Shaft Centering: Unitized construction of ball screw and motor mounts reduces shaft misalignments.



When used together with a MISUMI ball screw, there is one support unit accessory collar spare.

For details of the support unit, see **P.759**

Part Number Type	No.	d	B1	B2	D1	D2	D3	E	F	H1	H2	J	K	L	N	Q	S	T1	T2	W1	W2	X1	X2	Y1	Y2	P.C.D.	Support Units							
																											M1 (Fine)	M2 (Coarse)	d1	l				
BJS BJSM	* 8A	8	67	9	30	28	11.5	21	64	41	19	43	40	10	12	12	6	47	52	40	35	5	14	5.5	6.5	45	M8x1.0	M3	5.5	8	BRW8	-		
	* 8B																																	
	* 10A	10	74	13	30	34	14	25	70	46	23	46	42	10	14	14	7	54	56	42	42	8	16	5.5	8	45	M10x1.0	M3	6.5	8	BRW10	BRWN10		
	10B																																	
	* 12A	12	74	13	30	36	15	25	72	47	23	46	44	10	14	14	7	54	58	44	44	8	16	5.5	8	45	M12x1.0	M3	6.5	8	BRW12	BRWN12		
	12B																																	
	12C		84		50			31	98	62	26	56	62	13			18	9	58	80	62													
	15A	15	97	15	50	40	20	31	98	61	26	63	62	13			18	9	71	80	62													
	15B		106		70			41	128	82	36	72	82	16			23	11	74	106	70	52	8	18	10	10	90	M15x1.0	M6	10.5	15	BRW15	BRWN15	
	20A	20	117	22	50	57	25	35	116	70	30	69	70	20	24	23	11	77	94	70	68	14	28	11	13	70	M20x1.0	M5	10.5	13	BRW20	BRWN20		
20B		127		70			41	128	82	36	79	82																						

* marked sizes are for BJS only.

Ordering Example
 Part Number
BJS8A

Motor Compatibility Chart

Part Number	Flange Size	Motor		Part Number	Flange Size	Motor	
		Manufacturer	Output (W)			Manufacturer	Output (W)
BJS8A BJS10A BJS12A	□38	Panasonic	30	BJS (M)12C BJS (M)15A BJS (M)20A	□60	Yaskawa Electric Corporation	200
			50				400
			100				400
BJS8B BJS (M)10B BJS (M)12B	□40	Yaskawa Electric Corporation	30	BJS (M)15B BJS (M)20B	□80	Yaskawa Electric Corporation	750
			50				750
			100				750
		Mitsubishi Electric Corporation	50			Omron Corporation	200
			100				400
			100				400

- Motor part numbers and specifications are subject to change. Refer to motor manufacturer's specifications.
- Selection of motors, ball screws and couplings should be made upon confirming user's application specific criteria.
- Other motors and couplings not listed in the chart can also be used. Consult with mounting dimensions and specifications of each product.
- When selecting ball screws, use MISUMI Technical Calculation Software: <http://fa.misumi.jp/> (Free)

Part Number Type	No.	Unit Price	
		BJS 1 ~ 10 pc (s).	BJSM 1 ~ 10 pc (s).
BJS BJSM	8A		
	8B		
	10A		
	10B		
	12A		
	12B		
	12C		
	15A		
	15B		
	20A		
20B			

Support Units Peripherals

Stoppers for Ball Screws / Precision Collars for Support Units

Brackets for Ball Screws

Block Type

Can be used as Mechanical Stoppers for Ball Screws

Stoppers for Ball Screws

RoHS

BSTP
BSTS (Thin Wall Type)

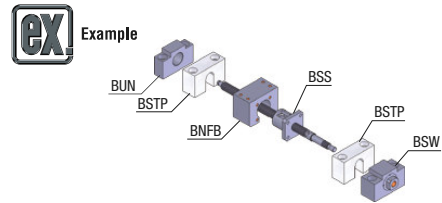
MMaterial: Ether-based Polyurethane
HHardness: Shore A90

6.3
∇ (1.5)

Part Number		B	H	h	P	V	BSTP					BSTS				Unit Price
Type	No.						T	d1	d2	ℓ	T1	d3	d4	ℓ1		
BSTP BSTS (Thin Wall Type)	6	42	25	13	30	12	20	9.5	5.5	5.5	13	8	4.5	15		
	8	52	32	17	38	14		11	6.5	6.5	15	9.5	5.5	17		
	1022	70	40	22	52	16	25	14	9	9	18	11	6.5	23		
	10		43	25												
	1223		41	23												
	12		43	25												
	1526	80	46	26	60	22	30	17	11	11	20	14	9	30		
	1528		48	28												
	15		50													
	20	95	58	30	75	28									33	
25	105	68	35	85	35									38		

Ordering Example

Part Number
BSTP15



Precision Collars for Support Units

BUSC

As BUSC is slightly larger than the included collar in O.D., it is effective in bearing oil retention. The LTBC Plating used helps for low particle generation.

MMaterial: EN 1.0038 Equiv.
SSurface Treatment: LTBC Plating

RoHS

Part Number		D	V	L	Unit Price 1 ~ 10 pc (s).
Type	No.				
BUSC	10	14.5	10	5.5	
	12	15.4	12	5.5	
	15	20.4	15	10	
	20	25.4	20	11	
25	31.3	25	14		

Ordering Example

Part Number
BUSC15

There are a lineup of variations that match the nut sizes of the MISUMI ball screws.

Brackets for Ball Screws

RoHS

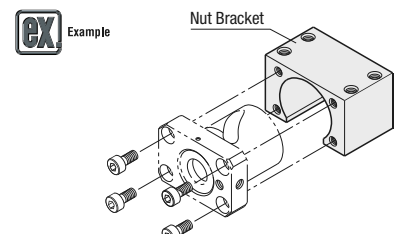
Type	Material	Surface Treatment
BNFB	EN 1.1191 Equiv.	Black Oxide
BNFM		Electroless Nickel Plating
BNFR		LTBC Plating
BNFA	Aluminum Alloy 5000 series	Clear Anodize

25 (1.5)
∇ (0.02) A

Part Number		H														MISUMI Ball Screw				
Type	No.	Selection														BSX (C3)	BSS (C5)	BS		
BNFB BNFM BNFR BNFA	801X	10	20	30	H+8	19	30	M3x5	12.4	24	8	16	3	10	M3x5	0801	0802	-		
	802S	18	20	23	25	H+10	24	30	16.4	30	12	24	6	12	-	-	0802	-		
	802C	17	20	23	25	H+12	30	0	20.4	34	17	24	6	12	M4x8	-	-	0802		

Ordering Example

Part Number - H
BNFB802S - 20



Unit Price					Unit Price				
No.	BNFB	BNFM	BNFR	BNFA	No.	BNFB	BNFM	BNFR	BNFA
801X					1505C				
802S					1505R				
802C					1505S				
802R					1510S				
804R					1510C				
1002R					1510R				
1002X					1520S				
1002S					2005C				
1004S					2010C				
1004C					2005S				
1004R					2005R				
1010R					2020R				
1010S					2505C				
1202S					2505R				
1204S					2505S				
1204C					2525R				
1204R					2505S				
1205S					2010R				
1210S					2510S				
1405R					2510R				
					2806R				
					3232R				
					3210R				