

Hex Socket Head Cap Screws

Stainless Steel (Available in Box)

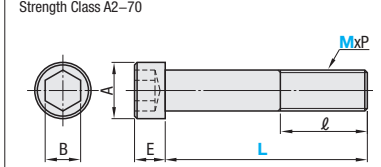
Hex Socket Head Cap Screws

Stainless Steel (Available in Single item)



RoHS10

Type	Material
BOX-SCB	EN 1.4301 Equiv.



MxP (Coarse)	A	E	B
2 x0.4	3.8	2	1.5
2.5x0.45	4.5	2.5	2
2.6x0.45	4.5	2.6	2
3 x0.5	5.5	3	2.5
4 x0.7	7	4	3
5 x0.8	8.5	5	4
6 x1.0	10	6	5
8 x1.25	13	8	6
10 x1.5	16	10	8

Can be ordered as a separate item. P.174
 *The strength class signifies the screw's tensile strength.
 (Ex.) A2 - 70
 This indicates that the minimum value of tensile strength is 700N/mm².
 The steel class is A2 (Austenitic Stainless Steel)

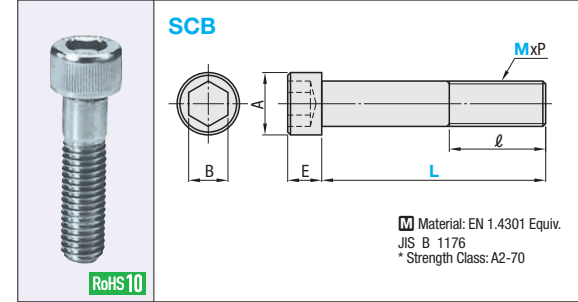
Please specify in box quantity when ordering. One box is shipped for an order of 1.

Ordering Example
 Part Number
 BOX-SCB3-6

Box package is cost-saving for in-house stock or when large quantities are needed.

ℓ	Part Number		Unit Price 1 to 10 boxes		Pcs./Box								
	Type	M-L	Price per pkg.	1 Box									
18	Studs - Fully Threaded	BOX-SCB (Stainless Steel)	2- 5		1,000 pcs./box								
			8										
			10										
			12										
			15										
			2.5- 5										
			8										
			10										
			2.6- 5										
			8										
			10										
			3- 5										
			6										
			8										
			10										
12													
15													
20													
25													
30													
18					500 pcs./box								
20	Studs - Fully Threaded	BOX-SCB (Stainless Steel)	4- 5		1,000 pcs./box								
			6										
			8										
			10										
			12										
			15										
			20										
			25										
			30										
			35										
			40										
			20						400 pcs./box				
			22	Studs - Fully Threaded		BOX-SCB (Stainless Steel)	5- 8		1,000 pcs./box				
							10						
							12						
15													
20													
25													
30													
35													
40													
22								800 pcs./box					
24	Studs - Fully Threaded	BOX-SCB (Stainless Steel)			6- 8			1,000 pcs./box					
					10								
					12								
					15								
					20								
			25										
			30										
			35										
			40										
			24						800 pcs./box				
			28	Studs - Fully Threaded	BOX-SCB (Stainless Steel)	8-12			500 pcs./box				
						15							
						20							
						25							
						30							
35													
40													
28								600 pcs./box					
28	Studs - Fully Threaded	BOX-SCB (Stainless Steel)				10-20		200 pcs./box					
						25							
						30							
						35							
						40							
						28							400 pcs./box
						28	Studs - Fully Threaded			BOX-SCB (Stainless Steel)	10-20		200 pcs./box
			25										
			30										
			35										
			40										
			28									300 pcs./box	
			28	Studs - Fully Threaded	BOX-SCB (Stainless Steel)				10-20			200 pcs./box	
									25				
									30				
35													
40													
28											400 pcs./box		
28	Studs - Fully Threaded	BOX-SCB (Stainless Steel)						10-20			200 pcs./box		
								25					
								30					
						35							
						40							
						28							150 pcs./box

When you need large quantities, box packaging is more economical. P.173



MxP	A	E	B
2x0.4	3.8	2	1.5
2.5x0.45	4.5	2.5	2
2.6x0.45	4.5	2.6	2
3x0.5	5.5	3	2.5
4x0.7	7	4	3
5x0.8	8.5	5	4
6x1.0	10	6	5
8x1.25	13	8	6
10x1.5	16	10	8
12x1.75	18	12	10

*The strength class signifies the screw's tensile strength.
 (Ex.) A2 - 70
 This indicates that the minimum value of tensile strength is 700N/mm².
 The steel class is A2 (Austenitic Stainless Steel)

Reference: Dimensions of Counterbore and Cap Screw Hole for Hex Socket Head Cap Screws P.1891

Part Number	Unit Price	Volume Discount Rate
Type M- L	ℓ	1 - 9 pc(s), 10 - 29 pcs, 30 - 99 pcs, 100 - 500 pcs.
SCB 2- 3		
4		
5		
6		
8		
10		
12		
15		
SCB 2.5- 4		
5		
6		
8		
10		
12		
15		
SCB 2.6- 4		
5		
6		
8		
10		
12		
15		
SCB 3- 4		
5		
6		
8		
10		
12		
14		
15		
16		
18		
20		
25		
30		
35		
40		
SCB 4- 5		
6		
8		
10		
12		
14		
15		
16		
18		
20		
22		
25		

Part Number	Unit Price	Volume Discount Rate
Type M- L	ℓ	1 - 9 pc(s), 10 - 29 pcs, 30 - 99 pcs, 100 - 500 pcs.
SCB 4- 30		
35		
40	20	
45		
50		
SCB 5- 6		
8		
10		
12		
14		
15		
16		
18		
20		
22		
SCB 6- 8		
10		
12		
14		
15		
16		
18		
20		
22		
25		
30		
35		
40		
45		
50		
55		
60		
65		
70		
SCB 8- 10		
12		
14		
15		
16		

Part Number	Unit Price	Volume Discount Rate
Type M- L	ℓ	1 - 9 pc(s), 10 - 29 pcs, 30 - 99 pcs, 100 - 500 pcs.
SCB 8- 18		
20		
22		
25		
30		
35		
40		
45		
50		
55		
60	28	
65		
70		
75		
80		
SCB 10- 12		
14		
15		
16		
18		
20		
25		
30		
35		
40		
45		
50		
55		
60	32	
65		
70		
75		
SCB 12- 15		
20		
25		
30		
35		
40		
45		
50		
55		
60	36	

Ordering Example
 Part Number
 SCB3-5